

WE ASSURE NOTHING BUT THE VERY BEST

compatibility | durability | aesthetic | variety

Premium Quality into Action.
Assured Reliability in Motion.



BOSE®



ASSURED
RELIABILITY

“Our passion is fuelled by **avant-garde engineering**. Shaping our quest to bring to you, **top-of-the-line** solutions that embody flawless quality, durability, stability, and compatibility.

We promise, to deliver **world-class value**. We promise, to keep you at the **forefront of** global technology. In doing so, we live **our purpose.**”

PREMIUM
QUALITY

INDEX

DRAWER CHANNELS

Drawer System	02
Slim Drawer System	04
Slim Drawer Systems Glass	06
Stainless Steel Slide	07
Undermount Slides	08
Soft-Close Slides	10
Premium Slide	13
Gold Slide	14
Big Slide	15
Jumbo Slide	16

ALUMINUM HANDLES

KITCHEN SYSTEMS

Accessories	18
Cutlery Tray	18
Anti-Slip Matt Roll	18
Dustbins	19
Pantry Units	20
Glass Pantry Units	25
Lift-Up Systems	27

ROLLING SHUTTERS

SCREWS

ALUMINUM PROFILES

Frame Profile	30
Handle Profile	30

WARDROBE ACCESSORIES

Cloth Rack Pull-Down	31
Adjustable Pull-Out Soft-Close	32
Side Pull-Out Soft-Close	33
Top Mounted Soft-Close	34
Pull-Out Soft-Close	34

WOODEN SLIDING

Medium Duty Hanging	35
Heavy Duty Soft-Close	36
Topline with Front	38
Wooden Sliding	39
Wooden Sliding Soft-Close	40
Inline System	43
4 Wheel Soft-Close	44
8 Wheel Soft-Close	46
Wooden Sliding	48
4 Wheel Wooden Sliding	52
8 Wheel Wooden Sliding	53

HINGES

Thick Door Soft-Close	54
Premium	55
Premium 3D Soft-Close	56
Soft-Close	57
Premium Clip-On	58
Corner	59
Blind-Fold	59
SS 304 Soft-Close	60

PRO-LIFT SYSTEMS

Bed System	61
Cabinet System	62

FLOOR SPRINGS

PATCH FITTINGS

DOOR CLOSERS

TUBULAR LOCKS

HYDRAULIC PATCH

LOCK BODIES

LOCK CYLINDERS

World-class hardware from

◆ ◆ ◆ ◆ ◆ ITALY, TAIWAN & GERMANY ◆ ◆ ◆ ◆ ◆

Hand-picked by experts to ensure

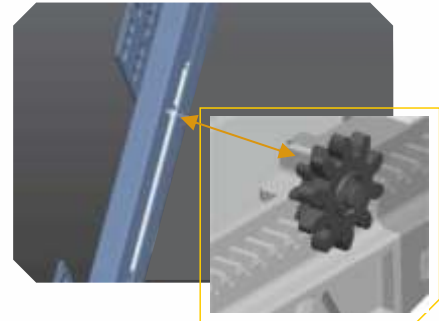
COMPATIBILITY & DURABILITY ◆ ◆ ◆ ◆ ◆

BOSE DRAWER SYSTEM



Model: BDS-001

- Drawer system with Silent Soft-Close
- **Material of side panel:** Cold-Rolled Steel with Epoxy Coating
- **Material of side panel bottom:** Galvanized Steel
- **Material of slide:** Galvanized Steel
- **Finish:** Grey / White
- Concealed, full extension
- Trendy & durable side panel design, mass space for cabinet storage
- Product passed EN 15338 (LGA Level III) standard
- **2D adjustment:** #Left and right have 2mm, #up and down have 3mm
- Heavy duty version upto 50kgs



Synchronization

Because of the unique double-gear design, the middle member and drawer member are always moving together at the same time and speed.

The synchronized movements:

- eliminate the hitting noise between the slides
- reduce noise and resistance during the sliding

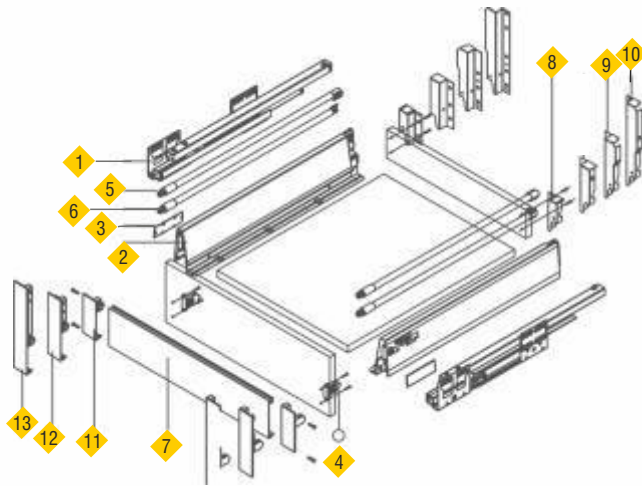
60,000
CYCLE
TEST

40kgs
LOADING
CAPACITY

	 MAIN SYSTEM	 ACCESSORIES		
	BDS-001 BOSE Drawer System	BGR-001 BOSE Single Gallery Rail	BDGR-001 BOSE Double Gallery Rail	BGCB-001 BOSE Rear Connector
Size	MRP*	MRP*	MRP*	Size: MRP*
350mm	3,300/-	325/-	650/-	135mm: 275/-
400mm	3,450/-	375/-	750/-	
450mm	3,550/-	425/-	850/-	199mm: 345/-
500mm	3,850/-	485/-	970/-	
550mm	4,000/-	565/-	1130/-	

* All prices are in INR, and for per set.

COMPONENTS

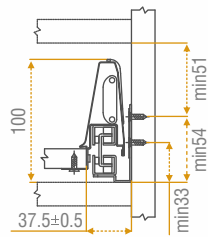


1. Cabinet profiles: L/R
2. Drawer profiles: L/R
3. Side cover plate
4. Front fixing brackets
5. Gallery tube
6. Middle tube
7. Metal front
8. BL-84 rear connecting bracket
9. BL-135 rear connecting bracket
10. BL-199 rear connecting bracket
11. Pantry drawer front - 84mm high
12. Pantry drawer front - 135mm high
13. Pantry drawer front - 199mm high

INSTALLATION GUIDELINE

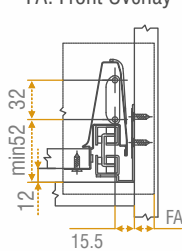
BRCB 84

Assembling dimension of cabinet

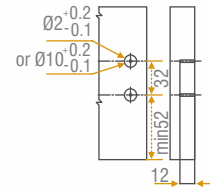


Front fixing bracket

FA: Front Overlay

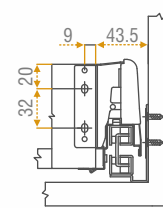


Drilling hole size on drawer front



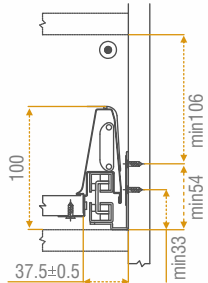
Hole size	Ø2*12	Ø10*12
Use screw	Wood screw	Anchor bolt
Screw size	M4*17	M10*10

Drawer back



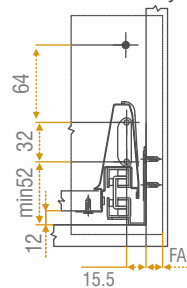
BRCB 135

Assembling dimension of cabinet

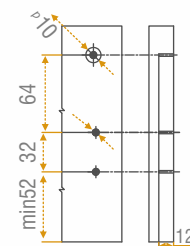


Front fixing bracket

FA: Front Overlay

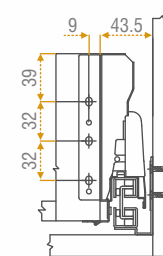


Drilling hole size on drawer front



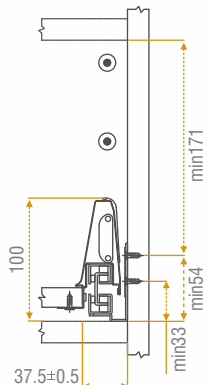
Hole size	Ø2*12	Ø10*12
Use screw	Wood screw	Anchor bolt
Screw size	M4*17	M10*10

Drawer back



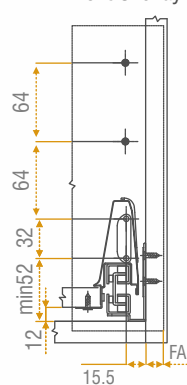
BRCB 199

Assembling dimension of cabinet

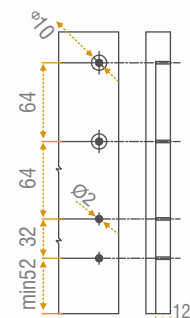


Front fixing bracket

FA: Front Overlay

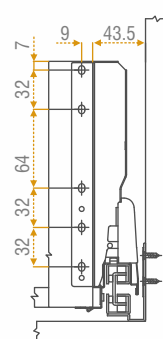


Drilling hole size on drawer front



Hole size	Ø2*12	Ø10*12
Use screw	Wood screw	Anchor bolt
Screw size	M4*17	M10*10

Drawer back

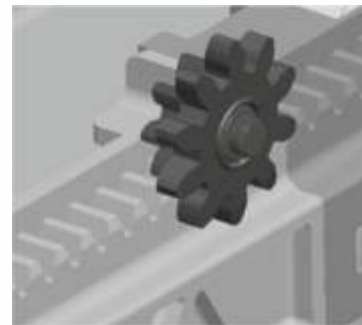




Model: BSL DS

BOSE SLIM DRAWER SYSTEM

- Drawer system with Silent Soft-Close
- **Material of Side Panel:** Cold-Rolled Steel with Epoxy Coating
- **Material of Side Panel bottom:** Galvanized Steel
- **Material of Slide:** Galvanized Steel
- **Finish:** Dark Grey
- Concealed, full extension
- The side panel design is only 13mm in thickness, slim, elegant & mass space for cabinet storage
- Product passed EN 15338 (LGA Level III) standard
- **3D Adjustment:** #Left and right have 1.5mm, #up and down have 3mm, #in and out have 3mm tilting outward

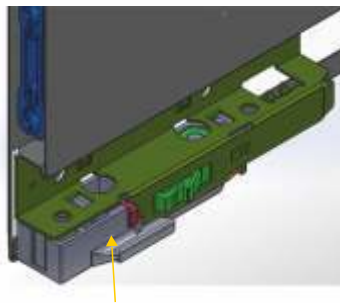


Synchronization

Because of the unique double gear design, the middle member and drawer member are always moving together at the same time and speed.

The synchronized movements:

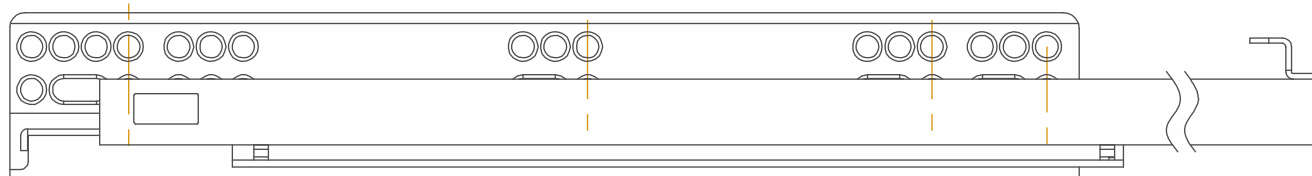
- eliminate the hitting noise between the slides
- reduce noise and resistance during the sliding



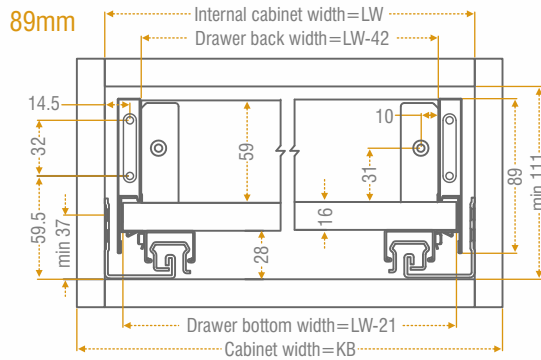
Built-in new-generation connection mechanism, integrated with side panel

60,000
CYCLE
TEST

40kgs
LOADING
CAPACITY

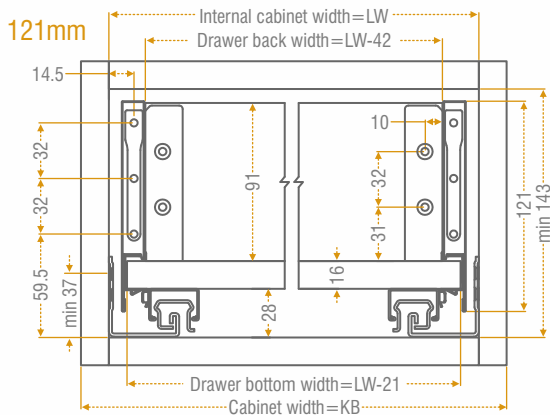


INSTALLATION GUIDELINE



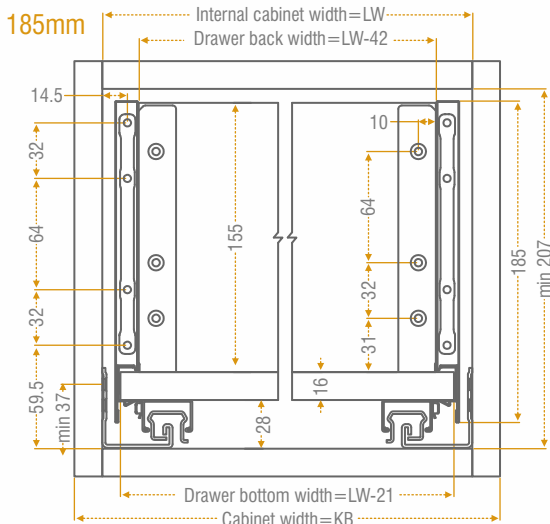
BSL DS-89mm

SIZE	350mm	400mm	450mm	500mm	550mm	600mm
MRP*	5,250/-	5,450/-	5,650/-	5,850/-	6,050/-	6,250/-



BSL DS-121mm

SIZE	350mm	400mm	450mm	500mm	550mm	600mm
MRP*	5,800/-	6,000/-	6,200/-	6,400/-	6,600/-	6,800/-



BSL DS-185mm

SIZE	350mm	400mm	450mm	500mm	550mm	600mm
MRP*	6,400/-	6,600/-	6,800/-	7,000/-	7,200/-	7,400/-

BSL-GR-500

Single Gallery

Finish: Dark Grey

MRP: Rs. 500 per set

BSL-GR-550

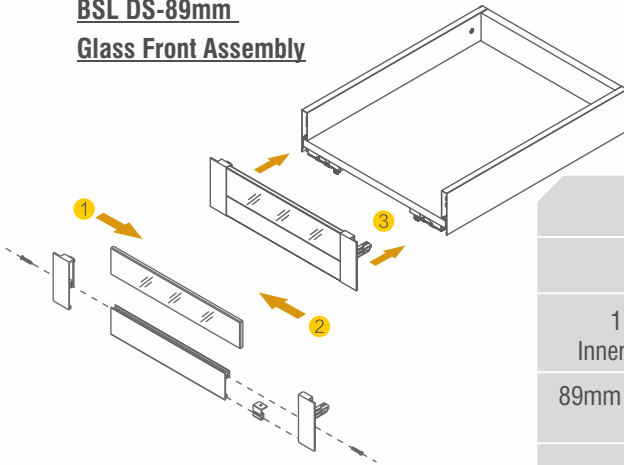
Single Gallery

Finish: Dark Grey

MRP: Rs. 550 per set

BOSE SLIM INNER DRAWER WITH FRONT GLASS ASSEMBLY

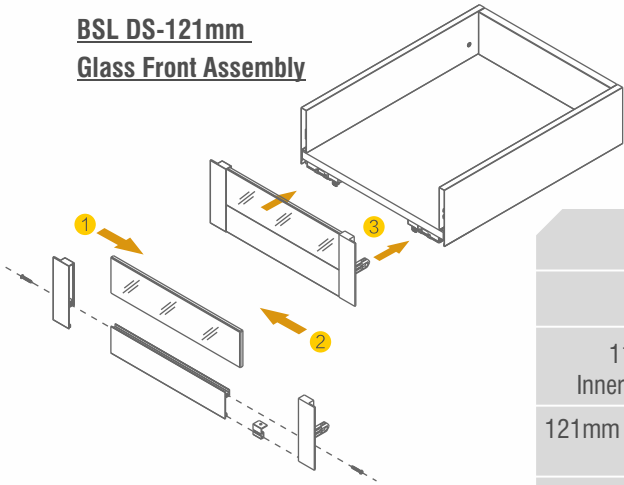
BSL DS-89mm
Glass Front Assembly



BSL DS-89mm

SIZE	350mm	400mm	450mm	500mm	550mm	600mm
MRP*	5,250/-	5,450/-	5,650/-	5,850/-	6,050/-	6,250/-
1100mm Inner drawer	2,625/-	2,625/-	2,625/-	2,625/-	2,625/-	2,625/-
89mm bracket MRP*	315/-	315/-	315/-	315/-	315/-	315/-
Total	8,190/-	8,390/-	8,590/-	8,790/-	8,990/-	9,190/-

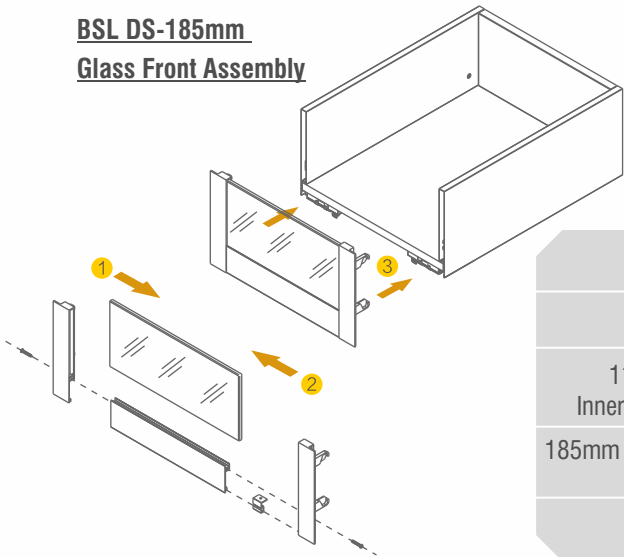
BSL DS-121mm
Glass Front Assembly



BSL DS-121mm

SIZE	350mm	400mm	450mm	500mm	550mm	600mm
MRP*	5,800/-	6,000/-	6,200/-	6,400/-	6,600/-	6,800/-
1100mm Inner drawer	2,625/-	2,625/-	2,625/-	2,625/-	2,625/-	2,625/-
121mm bracket MRP*	420/-	420/-	420/-	420/-	420/-	420/-
Total	8,845/-	9,045/-	9,245/-	9,445/-	9,645/-	9,845/-

BSL DS-185mm
Glass Front Assembly



BSL DS-185mm

SIZE	350mm	400mm	450mm	500mm	550mm	600mm
MRP*	6,400/-	6,600/-	6,800/-	7,000/-	7,200/-	7,400/-
1100mm Inner drawer	2,625/-	2,625/-	2,625/-	2,625/-	2,625/-	2,625/-
185mm bracket MRP*	525/-	525/-	525/-	525/-	525/-	525/-
Total	9,550/-	9,750/-	9,950/-	10,150/-	10,350/-	10,550/-

BOSE SLIM DRAWER SYSTEM GLASS

BSL-DS-500mm 2 side Glass

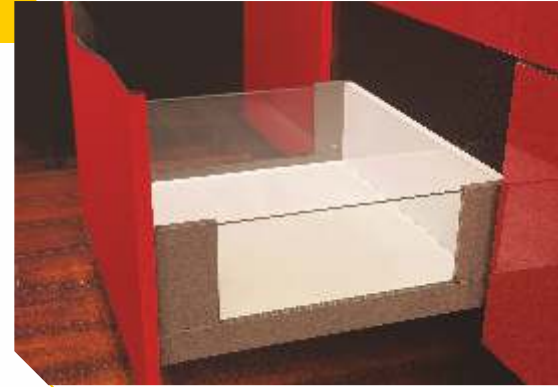
- Finish: Dark Grey
- Weight Capacity: upto 40kgs

MRP* 11,700/-

BSL-DS-550mm 2 side Glass

- Finish: Dark Grey
- Weight Capacity: upto 40kgs

MRP* 13,200/-



Model: BSL DS-500mm Glass

BOSE STAINLESS STEEL SLIDE

- Material: Stainless Steel 201 Grade
- Surface Treatment: Zinc Plating
- Opening Style: Fully Open
- Finish: Stainless Steel
- Application: Kitchen Cabinet, Desk Drawer, Storage Cabinet etc.

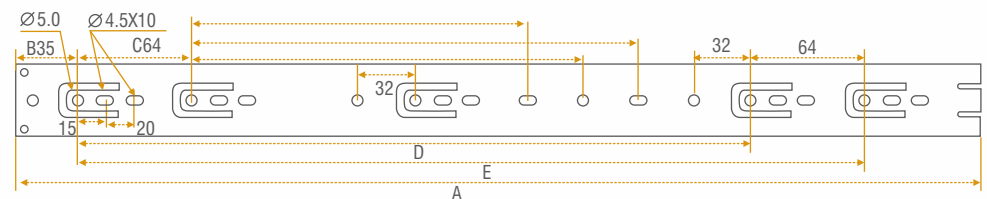
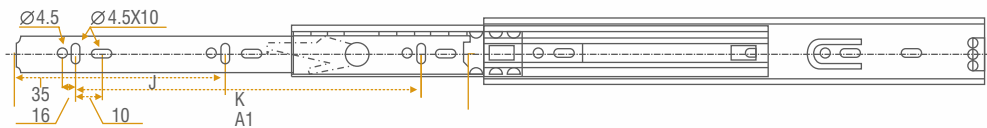
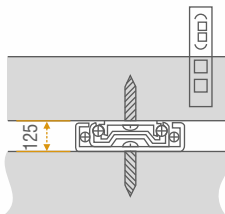
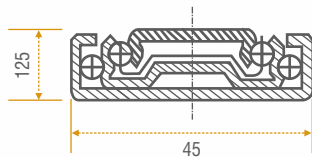
50,000
CYCLE
TEST

45kgs
LOADING
CAPACITY



Model: BDC-907

INSTALLATION GUIDELINE



BDC-907

SIZE	12"	14"	16"	18"	20"	22"	24"
MRP*	900/-	1,050/-	1,200/-	1,350/-	1,500/-	1,650/-	1,800/-

DRAWER CHANNELS

BOSE 4-WAY UNDERMOUNT SLIDE FOR WOODEN BASKET



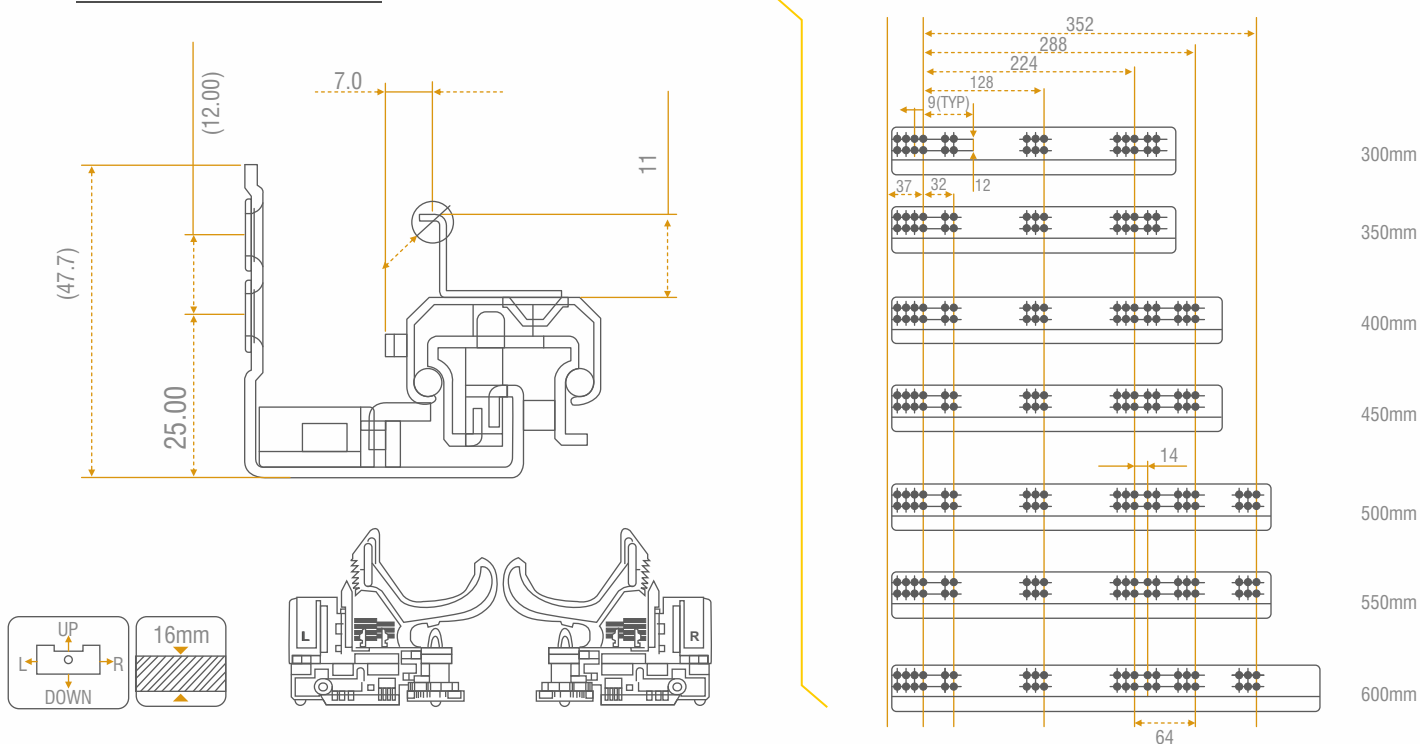
Model: BTW WD

- **Material:** Galvanized Steel
- **Opening Style:** Fully Open
- **Application:** Kitchen Cabinet, Desk Drawer, Storage Cabinet etc.
- **1.2mm Thickness of Drawer Member:** Slight deflection with stronger drawer support strength
- **Drawer Lift Prevent:** Preventing accidental drawer lift by unique quick removal handle lock design
- **6cm Travel Length of Soft-Close Motion:** Extremely silent & effortless drawer movement with exclusive high quality damper technology
- **Height & Side 4-Way Adjustment:** Adjusting drawer panel clearance easily with precise handle design

50,000
CYCLE
TEST

40kgs
LOADING
CAPACITY

INSTALLATION GUIDELINE



BTW WD

SIZE	300mm	350mm	400mm	450mm	500mm	550mm	600mm
MRP*	2,400/-	2,550/-	2,700/-	2,975/-	3,200/-	3,400/-	3,600/-

* All prices are in INR, and for per set.

BOSE UNDERMOUNT SLIDE FOR WIRE BASKET

- **Material:** Galvanized Steel
- **Opening Style:** Fully Open
- **Application:** Wire Basket / Steel Basket
- **1.2mm Thickness of Drawer Member:** Slight deflection with stronger drawer support strength
- **6cm Travel Length of Soft-Close Motion:** Extremely silent & effortless drawer movement with exclusive high quality damper technology

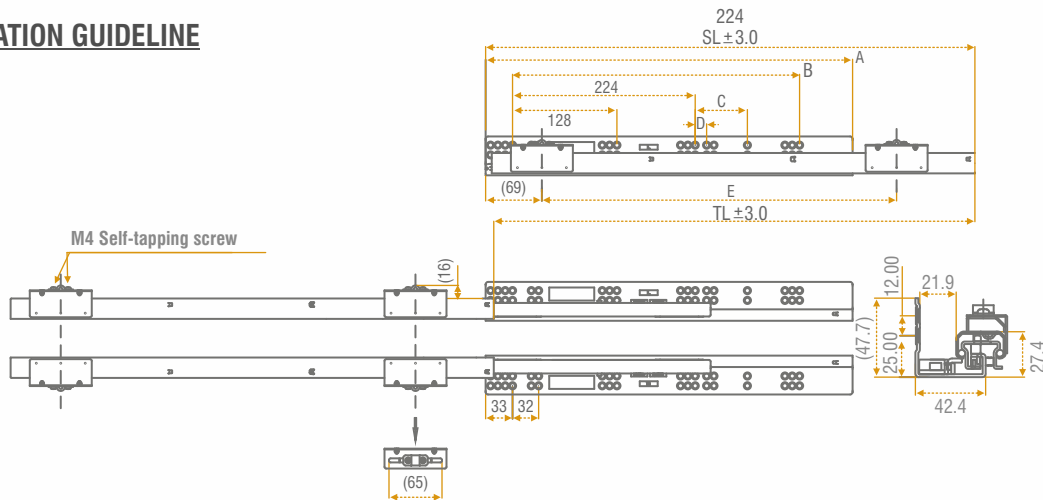


Model: BTW SD

50,000
CYCLE
TEST

45kgs
LOADING
CAPACITY

INSTALLATION GUIDELINE

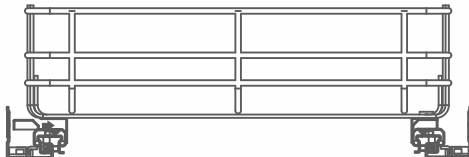
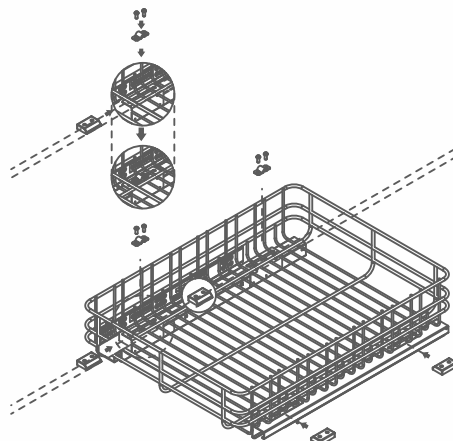


INSTALLATION INSTRUCTION

BTW SD Wire Basket Slides are developed to place basket on top of the slides. Please note, the slides only work for bottom wire diameter 3mm or less. There are 2 slotted on each left and right slides.

On each bracket, there is a rubber clamp with 2 screws and a plastic base underneath. To fasten the basket onto the slides, you need to unscrew the clamp first.

Then place bottom wire of the basket on top of the bracket, and place clamp on top of the bottom wire, and secure it with screws. Repeat the same on the other 3 brackets.



BTW SD

SIZE	MRP*
300mm	2,400/-
350mm	2,550/-
400mm	2,700/-
450mm	2,975/-
500mm	3,200/-
550mm	3,400/-
600mm	3,600/-

* All prices are in INR, and for per set.



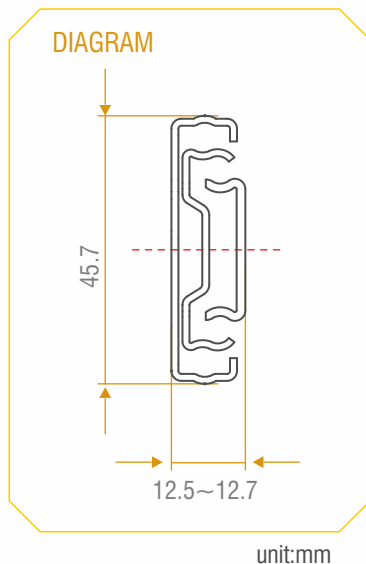
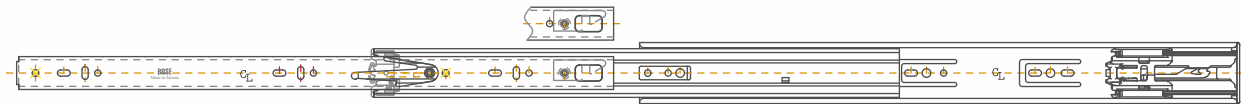
Model: BDC TW 912

BOSE PUSH-TO-OPEN SLIDE

- New Touch-To-Open mechanism, 4mm activating stroke, almost 2/3 of drawer opening depending on installation and drawer loading
- **Surface treatment:** Zinc Plating
- **Finish:** Zinc
- **Mounting:** Side Mount
- **Slide Clearance:** 12.7mm plus 0.76mm, minus 0 each side
- **Height:** 45.7mm
- **Size:** 300-600mm at 50mm increment
- Made in Taiwan

45kgs
LOADING
CAPACITY

INSTALLATION GUIDELINE



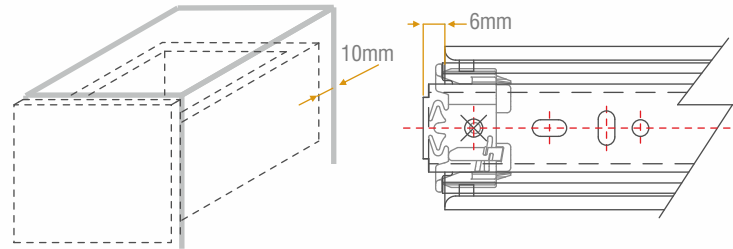
BDC TW 912

SIZE	MRP*
300mm	1,800/-
350mm	1,800/-
400mm	1,900/-
450mm	2,050/-
500mm	2,175/-
550mm	2,300/-
600mm	2,450/-

* All prices are in INR, and for per set.

INSTALLATION INSTRUCTION

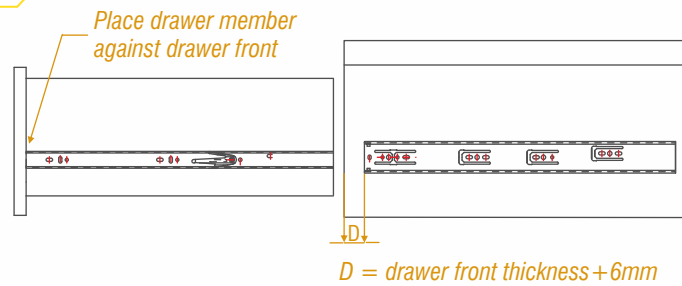
Step 1



The actuating stroke of touch to open is 4mm, so reserve at least 10mm gap between the drawer back and cabinet.

The new Touch-To-Open deliberately set the drawer member above the cabinet member by 6mm in fully closed position to absorb installation tolerance.

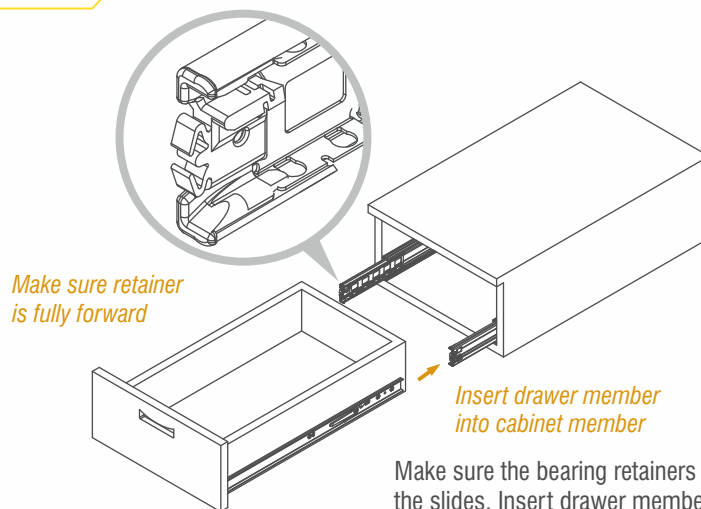
Step 2



Place drawer member against drawer front

$D = \text{drawer front thickness} + 6\text{mm}$

Step 3



Make sure retainer is fully forward

Insert drawer member into cabinet member

Make sure the bearing retainers are set to the front of the slides. Insert drawer member into the cabinet member and then push the drawer all the way in. Never use force when inserting the drawer.

DRAWER CHANNELS

BOSE SOFT-CLOSE SLIDE

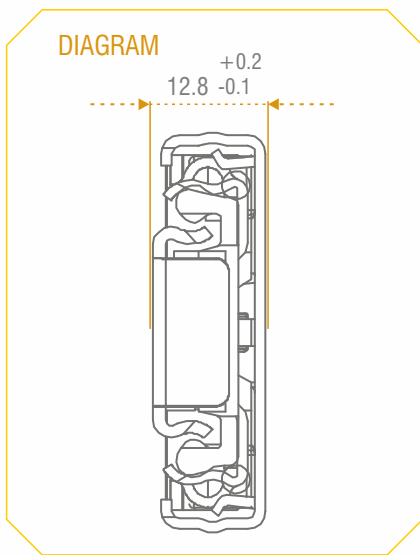
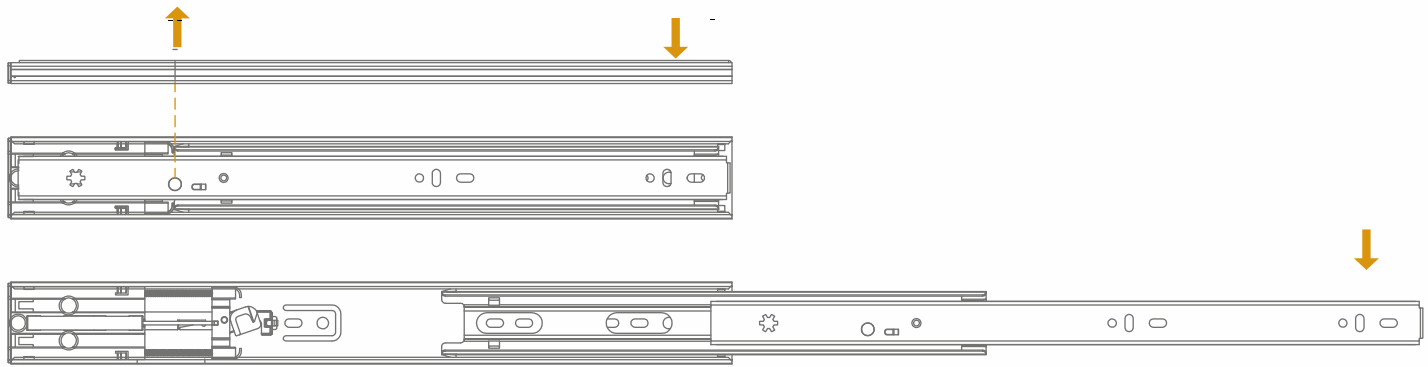


Model: BDC-908

- Silent Soft-Close
- Application: Kitchen Cabinet, Desk Drawer, Storage Cabinet etc.
- Opening Style: Fully Open
- Salt Spray Test: 48hrs
- Finish: Zinc
- Material: Cold-Rolled Steel
- Finish: Electrophoresis

50,000 CYCLE TEST | 40kgs LOADING CAPACITY

INSTALLATION GUIDELINE



unit:mm

BDC-908

SIZE	MRP*
12"	900/-
14"	1,050/-
16"	1,200/-
18"	1,350/-
20"	1,500/-
22"	1,650/-
24"	1,800/-

* All prices are in INR, and for per set.

BOSE PREMIUM SLIDE

- **Material:** Cold-Rolled Steel
- **Opening Style:** Fully Open
- **Surface Treatment:** Zinc Plating, Black
- **Application:** Kitchen Cabinet, Desk Drawer, Storage Cabinet, etc.

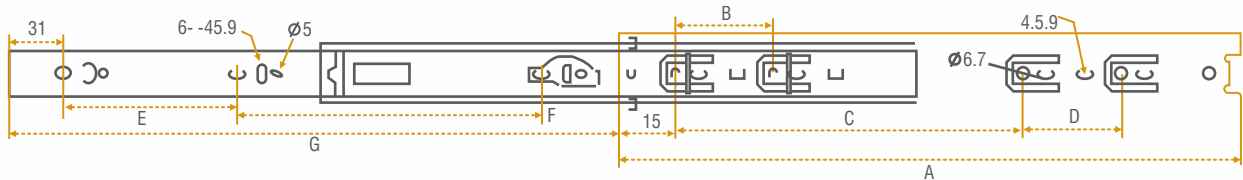


60,000
CYCLE
TEST

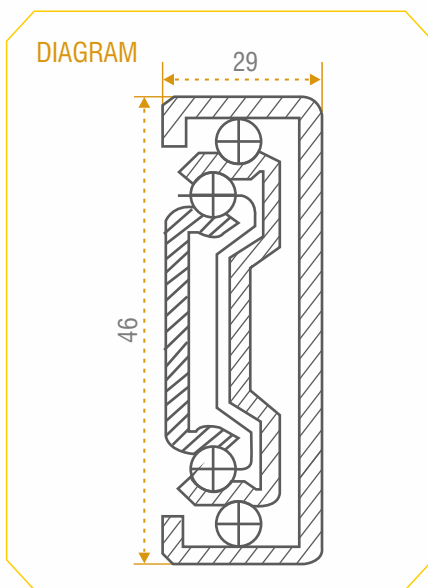
45kgs
LOADING
CAPACITY

Model: BDC-901

INSTALLATION GUIDELINE



BDC-901



unit:mm

SIZE	MRP*	SIZE	MRP*
8"	400/-	26"	1,040/-
10"	400/-	28"	1,120/-
12"	480/-	30"	1,200/-
14"	560/-	32"	1,280/-
16"	640/-	36"	1,440/-
18"	720/-		
20"	800/-		
22"	880/-		
24"	960/-		

* All prices are in INR, and for per set.

DRAWER CHANNELS



BOSE GOLD SLIDE

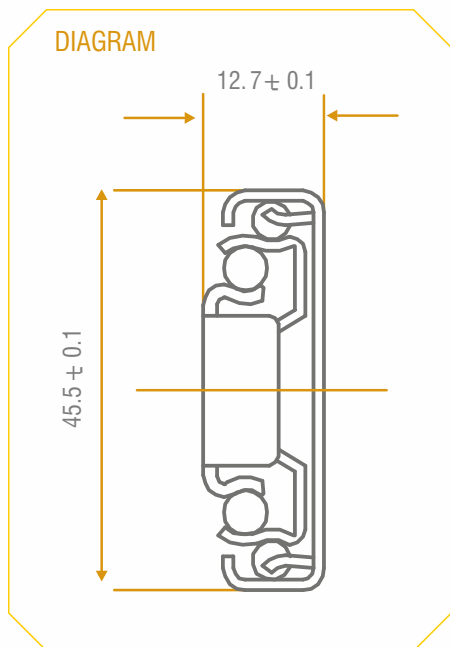
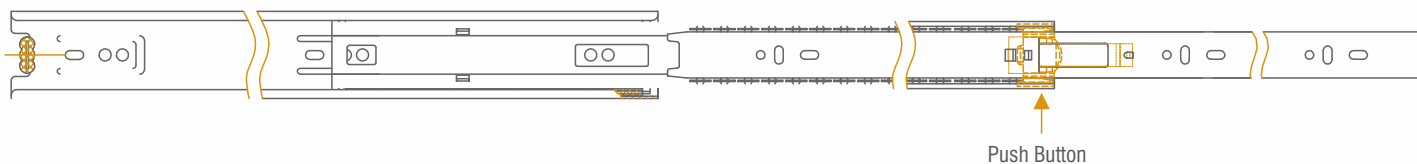
- **Material:** Cold-Rolled Steel
- **Opening Style:** Fully Open
- **Surface Treatment:** Zinc Plating, Electrophoresis Black
- **Finish:** Zinc and Black
- **Application:** Kitchen Cabinet, Desk Drawer, Storage Cabinet, etc.
- **Push Button Technology** for Easy Removing of Drawer

Model: BDC-902

50,000
CYCLE
TEST

45kgs
LOADING
CAPACITY

INSTALLATION GUIDELINE



unit:mm

BDC-902

SIZE	MRP*
8"	360/-
10"	450/-
12"	540/-
14"	630/-
16"	720/-
18"	810/-
20"	900/-
22"	990/-
24"	1080/-

* All prices are in INR, and for per set.

BOSE BIG SLIDE

- **Material:** Cold-Rolled Steel
- **Opening Style:** Fully Open
- **Surface Treatment :** Zinc Plating
- **Finish:** Zinc
- **Application:** Kitchen Cabinet, Storage Cabinet, High load Wooden & Steel Drawers



Model: BDC-905

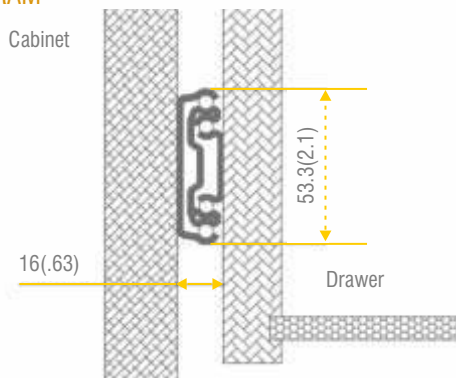
50,000
CYCLE
TEST

100kgs
LOADING
CAPACITY

INSTALLATION GUIDELINE



DIAGRAM



unit:mm

BDC-905

SIZE	MRP*	SIZE	MRP*
12"	1,320/-	28"	3,080/-
14"	1,540/-	30"	3,300/-
16"	1,760/-	32"	3,520/-
18"	1,980/-	34"	3,740/-
20"	2,200/-	36"	3,960/-
22"	2,420/-	38"	4,180/-
24"	2,640/-	40"	4,400/-
26"	2,860/-	42"	4,620/-

* All prices are in INR, and for per set.

BOSE JUMBO SLIDE



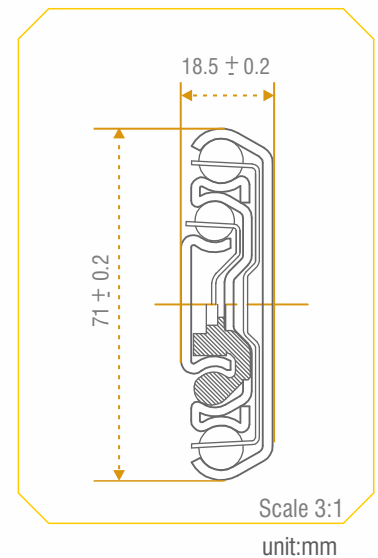
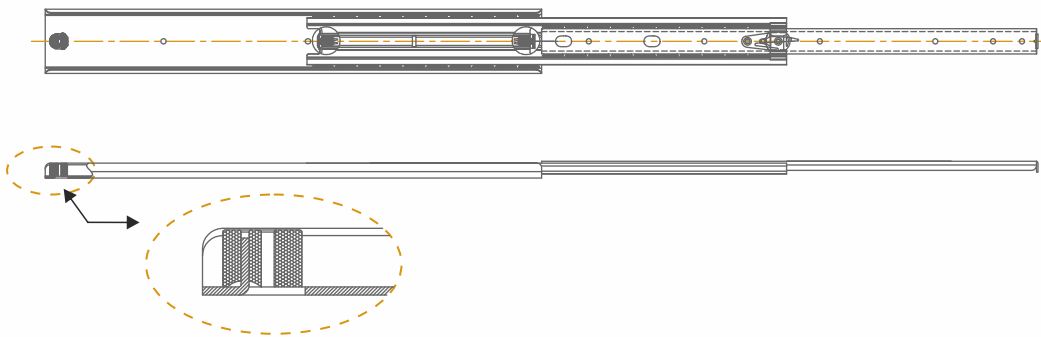
Model: BDC-906

- **Material:** Cold-Rolled Steel
- **Surface Treatment:** Zinc Plating
- **Opening Style:** Fully Open
- **Application:** Kitchen Cabinet, Storage Cabinet, High Load Wooden & Steel Drawer

50,000
CYCLE
TEST

200kgs
LOADING
CAPACITY

INSTALLATION GUIDELINE



BDC-906

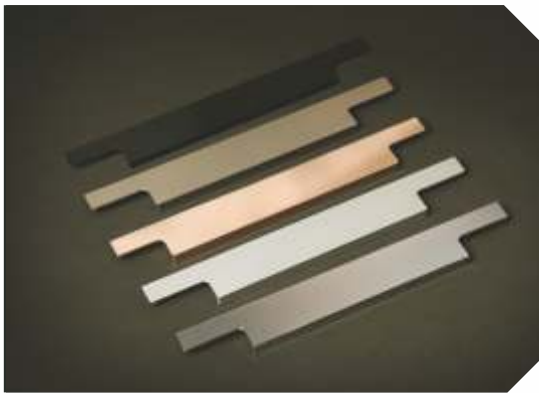
SIZE	18"	20"	22"	24"	26"	28"	30"
MRP*	4,800/-	5,335/-	5,865/-	6,400/-	6,935/-	7,465/-	8,000/-

SIZE	32"	34"	36"	38"	40"	42"	48"	60"
MRP*	8,535/-	9,070/-	9,600/-	10,135/-	10,670/-	11,200	12,800/-	16,000/-

* All prices are in INR, and for per set.

ALUMINUM HANDLES

BOSE ALUMINUM HANDLES



BAEH-001

Size in mm	147.5	297.5	447.5	497.5	597.5	697.5	797.5	897.5
Aluminum	286/-	442/-	624/-	682/-	793/-	897/-	1014/-	1118/-
Black Matte	325/-	520/-	676/-	728/-	845/-	975/-	1079/-	1209/-
Champagne	325/-	520/-	676/-	728/-	845/-	975/-	1079/-	1209/-
Rose Gold	481/-	832/-	1196/-	1313/-	1547/-	1781/-	2015/-	2262/-
Chrome Plated	481/-	832/-	1196/-	1313/-	1547/-	1781/-	2015/-	2262/-

Finish

MRP* in INR



BAEH-002

Size in mm	147.5	297.5	447.5	497.5	597.5	697.5	797.5	897.5
Aluminum	286/-	442/-	624/-	682/-	793/-	897/-	1014/-	1118/-
Black Matte	325/-	520/-	676/-	728/-	845/-	975/-	1079/-	1209/-
Champagne	325/-	520/-	676/-	728/-	845/-	975/-	1079/-	1209/-
Rose Gold	481/-	832/-	1196/-	1313/-	1547/-	1781/-	2015/-	2262/-
Chrome Plated	481/-	832/-	1196/-	1313/-	1547/-	1781/-	2015/-	2262/-

Finish

MRP* in INR



BAEH-003

Size in mm	147.5	297.5	447.5	497.5	597.5	697.5	797.5	897.5
Aluminum	338/-	520/-	728/-	780/-	910/-	1040/-	1170/-	1300/-
Black Matte	416/-	598/-	819/-	884/-	1027/-	1157/-	1300/-	1430/-
Champagne	416/-	598/-	819/-	884/-	1027/-	1157/-	1300/-	1430/-
Rose Gold	546/-	858/-	1222/-	1391/-	1638/-	1859/-	2119/-	2405/-
Chrome Plated	546/-	858/-	1222/-	1391/-	1638/-	1859/-	2119/-	2405/-

Finish

MRP* in INR

* All prices are for per set.

KITCHEN ACCESSORIES



BCT-500C

Colour: Metallic Grey
Size: Width- 430mm
 Diameter- 485mm
 Height- 60mm

MRP: Rs. 1,700 per pc

BCT-600C

Colour: Metallic Grey
Size: Width- 530mm
 Diameter- 485mm
 Height- 60mm

MRP: Rs. 1,950 per pc

BCT-800C

Colour: Metallic Grey
Size: Width- 730mm
 Diameter- 485mm
 Height- 60mm

MRP: Rs. 2,650 per pc

BCT-900C

Colour: Metallic Grey
Size: Width- 830mm
 Diameter- 485mm
 Height- 60mm

MRP: Rs. 2,800 per pc

STEEL CUTLERY



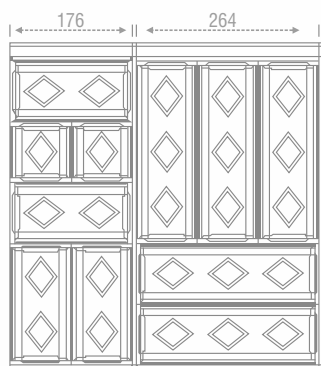
BOSE SS CUTLERY TRAY ORGANISER

BCT SS-20-276-473mm

Size: 276mm - 473mm
Colour: Stainless Steel 304
MRP: Rs. 4,550 per set

BCT SS-22-276-523mm

Size: 276mm - 523mm
Colour: Stainless Steel 304
MRP: Rs. 4,625 per set



BCT SS-20-458-473mm

Size: 458mm - 473mm
Colour: Stainless Steel 304
MRP: Rs. 8,550 per set

BCT SS-22-458-523mm

Size: 458mm - 523mm
Colour: Stainless Steel 304
MRP: Rs. 8,625 per set

BOSE ANTI-SLIP MATT ROLL

BDM-2010

Anti-Slip | Big Diamond Style
Size: 20in x 10mtr
MRP: Rs. 5,800 per pc

BDM-2210

Anti-Slip | Big Diamond Style
Size: 22in x 10mtr
MRP: Rs. 6,200 per pc



BOSE DUSTBINS



BDB-14

- **Colour:** Chrome Plating
- **Size:** 285mm x 285mm x 340mm
- Simple and quick installation
- **Capacity:** 14 litres bin

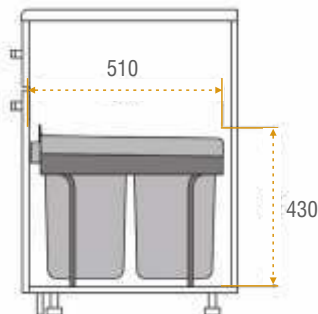
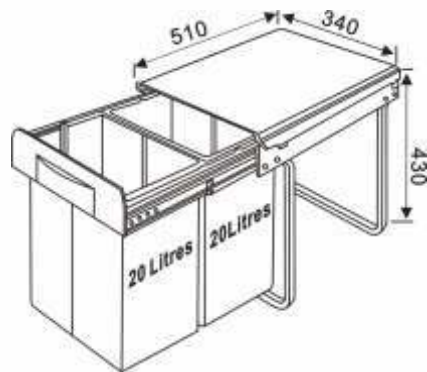
MRP* 3,750/-



BDB-20AS

- **Colour:** Dark Grey
- **Size:** 340mm x 510mm x 430mm
- Soft-Close
- Simple and quick installation
- **Loading capacity:** Upto 30kgs
- **Cycle test:** 1,00,000 times
- **Capacity:** 40 litres bin

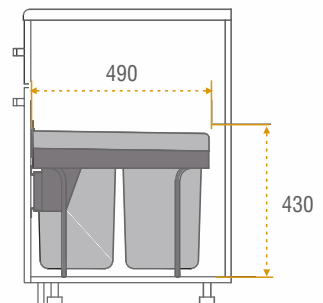
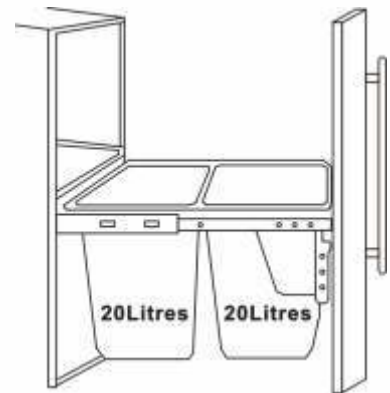
MRP* 9,450/-



BDB-20CS

- **Colour:** Dark Grey
- **Size:** 340mm x 490mm x 430mm
- Soft-Close
- Simple and quick installation
- **Loading capacity:** Upto 30kgs
- **Cycle test:** 1,00,000 times
- **Capacity:** 40 litres bin

MRP* 10,450/-



* All prices are in INR, and for per piece.

BOSE DIAMOND STYLE BOTTLE PULL-OUT

- Diamond Style Bottle Pull-Out Soft-Close
- Frame & accessories made of high-grade steel with 3-layer car painting surface
- Basket with European environment-friendly, trivalent chrome plating surface to ensure durable life span
- Motion bearing is precise & passes GS 50,000 times of motion test
- Side mounting mechanism ensures a stabler operation



Model: BPO-L/R

BPO-L/R-200mm

- New Generation Soft-Close
- **Cabinet Size Minimum:** 200mm x 500mm x 650mm
- **Product Size:** 135mm x 460mm x 580mm
- **Weight Capacity:** Upto 15 kgs
- Anti-Slip Matt

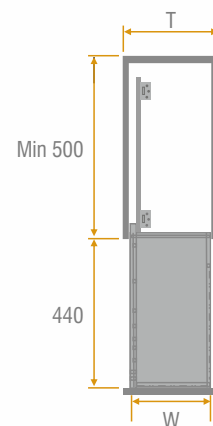
MRP* 14,000/-

BPO-L/R-300mm

- New Generation Soft-Close
- **Cabinet Size Minimum:** 300mm x 500mm x 650mm
- **Product Size:** 235mm x 460mm x 580mm
- **Weight Capacity:** Upto 15 kgs
- Anti-Slip Matt

MRP* 14,750/-

DIAGRAM



unit:mm

BOSE DIAMOND STYLE SHOW HAND CORNER

- Diamond Style Show Hand Corner Soft-Close
- Frame & accessories made of **high-grade steel with 3-layer car painting surface**
- Basket with European environment-friendly, trivalent chrome plating surface to ensure durable life span
- Motion bearing is precise & passes **GS 50,000 times of motion test**
- Universal opening ensures the adaption to all 800/900mm blind corner cabinets & giving a 100% transparent view of storage

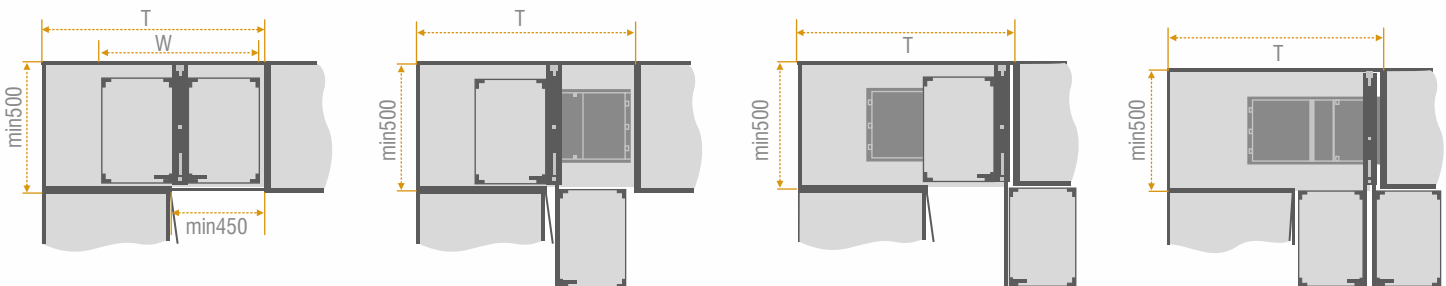


Model: B. Magic Corner 800

B. Magic Corner 800

- New Generation Soft-Close
- **Cabinet Size Minimum:**
800mm x 500mm x 650mm (blind corner)
- **Product Size:** 660mm x 455mm x 595mm
- **Weight Capacity:** Upto 20 kgs, 5 kgs per tray
- **Universal Opening:** Left/Right
- Anti-Slip Matt

MRP* 47,750/-



BOSE DIAMOND STYLE SWIVEL CORNER

- BOSE Diamond style swivel corner Soft-Close
- Swivel corner flat line with matt roll
- Different options on shelves style offering users variants
- Featuring exclusive design
- Easy installation



Model: B.S Corner 900

MRP*

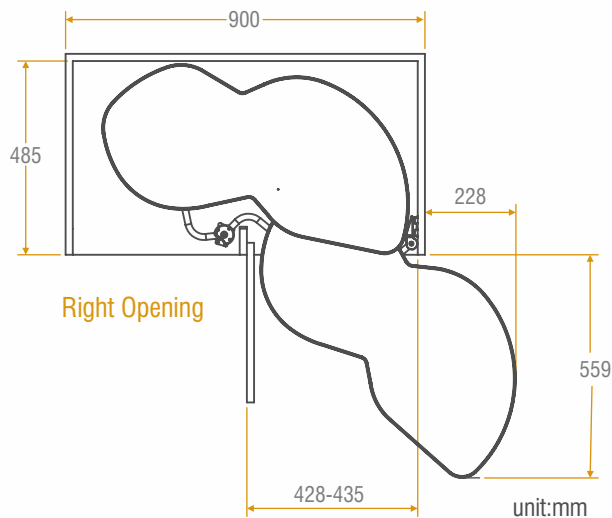
24,500/-

50,000
CYCLE
TEST

15kgs
LOADING
CAPACITY

B.S Corner 900 L/R Diamond Swivel Swing

- Soft-Close
- **Cabinet Size Minimum:** 900mm x 500mm x 650mm(blind corner)
- **Product Size:** 788mm x 466mm x 600-750mm
- **Weight Capacity:** Upto 15 kgs per tray
- Anti-slip matt



Right Opening

BOSE GREY STYLE SWIVEL CORNER

- BOSE Grey style swivel swing Soft-Close
- Different options on shelves style offering users variants
- Featuring exclusive design
- **Product Size:** 788mm x 466mm x 600-750mm



**Model: B.S Corner 900
Grey Swivel Swing**

50,000
CYCLE
TEST

15kgs
LOADING
CAPACITY
(per tray)

MRP* 27,500/-

* All prices are in INR, and for per set.

BOSE NATURAL WICKER BASKET

BWB 450

BWB 450* 85mm

Size: W-370mm, D-510mm, H-85mm

MRP: 6,650/- per pc

BWB 450* 135mm

Size: W-370mm, D-510mm, H-135mm

MRP: 7,050/- per pc

BWB 450* 185mm

Size: W-370mm, D-510mm, H-185mm

MRP: 7,500/- per pc

BWB 600

BWB 600* 85mm

Size: W-520mm, D-510mm, H-85mm

MRP: 7,450/- per pc

BWB 600* 135mm

Size: W-520mm, D-510mm, H-135mm

MRP: 7,950/- per pc

BWB 600* 185mm

Size: W-520mm, D-510mm, H-185mm

MRP: 8,450/- per pc



BOSE DIAMOND STYLE SWIVEL PANTRY



- Diamond Style Swivel Soft-Close Pantry
- Frame & accessories made of **high-grade steel with 3-layer car painting surface**
- Basket with European environment-friendly trivalent chrome plating surface to ensure durable life span
- Motion bearing is precise & passes **GS 50000 times of motion test**



New Generation Soft-Close

Model: B.Pantry

B.Pantry 450

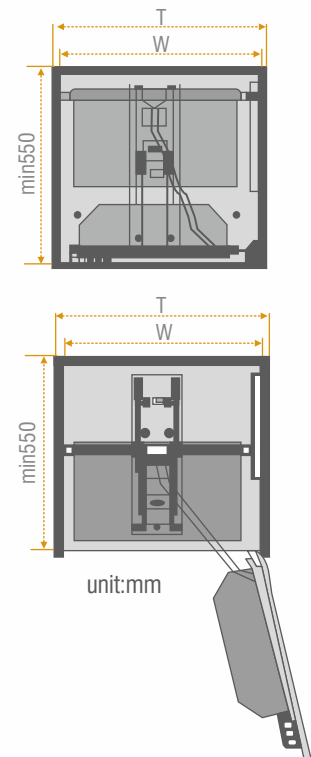
- New Generation Soft-Close
- **Cabinet Size Minimum:** 450mm x 550mm x 1950mm
- **Product Size:** 408mm x 500mm X 1825mm
- **Weight Capacity:** Upto 50 kgs
3 kgs per small tray
5 kgs per big tray
- 6 layers of Diamond Style Wooden Tray
- Anti slip matt

MRP* 50,750/-

B.Pantry 600

- New Generation Soft-Close
- **Cabinet Size Minimum:** 600mm x 550mm x 1950mm
- **Product Size:** 558mm x 500mm X 1825mm
- **Weight Capacity:** Upto 50kgs
3 kgs per small tray
5 kgs per big tray
- 6 layers of Diamond Style Wooden Tray
- Anti slip matt

MRP* 58,750/-



BOSE GLASS STYLE PULL-OUT

- BOSE Glass Style Bottle Pull-Out Soft-Close
- Different options on shelves style offering users with variants featuring exclusive designs
- Easy install and excellent soft closing function
- Basket move out and adjust the distance between two shelves
- Left and right opening universal



Model: BPO Glass-L/R

BPO Glass-L/R-200mm

- Side Pull out Basket- Alu Glass
- **Product Size** : 149mm x 480mm x 531mm
- **Weight Capacity**: Upto 10 kgs

MRP*

16,350/-

BPO Glass-L/R-250mm

- Side Pull out Basket- Alu Glass
- **Product Size**: 199mm x 480mm x 531mm
- **Weight Capacity**: Upto 10 kgs

MRP*

16,550/-

BPO Glass-L/R-300mm

- Side Pull out Basket- Alu Glass
- **Product Size**: 249mm x 480mm x 531mm
- **Weight Capacity**: Upto 10 kgs

MRP*

16,950/-

BOSE GLASS STYLE PANTRY



Model: B. Glass Pantry

- BOSE Glass style Soft-Close pantry
- Easy install and excellent soft closing function
- Left and right opening universal

B. Glass Pantry 450

- **Product Size:** 400mm x 495mm X 1830mm
- **Weight Capacity:** Maximum 5kgs per big tray
Maximum 3kgs per small tray
- 6 layers of Glass Alu Tray

MRP* 55,000/-

B. Glass Pantry 600

- **Product Size:** 550mm x 495mm X 1830mm
- **Weight Capacity:** Maximum 5kgs per big tray
Maximum 3kgs per small tray
- 6 layers of Glass Alu Tray

MRP* 64,000/-

BOSE KITCHEN PULL-DOWN UNIT



Model: Pull-Down

- Soft stop
- **Cabinet Size:** 900mm
- **Product Size:** 864mm x 283mm X 525mm
- **Cycle test:** 50,000 times
- **Loading capacity:** 15 kgs

MRP* 41,500/-

BOSE BI-FOLD LIFT-UP SYSTEM



- 3D Front Adjustment of Both Front
- Easy to open & stays at any desired position
- Adjustable opening & hovering forces
- Tool free assembly & removal
- 60,000 cycle test

B-DD-L-590.649

Finish: Dark Grey

Cabinet Width: Upto 1800mm

Cabinet Height: 590mm - 649mm

Weight Capacity: 4.1 - 8.1kgs

Force: Light

MRP* 15,000/-

B-DD-M-590.649

Finish: Dark Grey

Cabinet Width: Upto 1800mm

Cabinet Height: 590mm - 649mm

Weight Capacity: 7.8 - 13kgs

Force: Medium

MRP* 15,550/-

B-DD-M-650.729

Finish: Dark Grey

Cabinet Width: Upto 1800mm

Cabinet Height: 650mm - 729mm

Weight Capacity: 7 - 11.6kgs

Force: Medium

MRP* 15,550/-

SUGGESTION:

CABINET = 700mm x 600 mm x 18mm PLY B-DD-L-590.649 | CABINET = 900mm x 600mm x 18mm PLY B-DD-M-590.649

BOSE LIFT-UP SYSTEM



- 3D Front Adjustment
- Easy to open & stays at any desired position
- Adjustable opening & hovering forces
- Tool free assembly & removal
- 60,000 cycle test

B-SD-L-250.500

Finish: Dark Grey

Cabinet Width: Upto 1800mm

Cabinet Height: 250mm - 500mm

Weight Capacity: 1.5 - 5kgs

Force: Light

MRP* 6,400/-

B-SD-M-350.500

Finish: Dark Grey

Cabinet Width: Upto 1800mm

Cabinet Height: 350mm - 500mm

Weight Capacity: 3 - 10kgs

Force: Medium

MRP* 7,200/-

B-SD-H-400.700

Finish: Dark Grey

Cabinet Width: Upto 1800mm

Cabinet Height: 400mm - 700mm

Weight Capacity: 6 - 18kgs

Force: Heavy

MRP* 8,950/-

* All prices are in INR, and for per set

BOSE ROLLING SHUTTERS

- Easy and fast installation
- No special tolling required
- Accurately measure mounting position
- Saving installation time and labour cost



BBGRS-600

**BOSE GLASS ROLLING SHUTTERS
BLACK COLOUR GLASS**

- Tempered glass
- Glass Profile: 50mm
- Finish: Black
- Size: W-600mm, H-1320mm, 18mm board

MRP*

56,500/-



BWGRS-600

**BOSE GLASS ROLLING SHUTTERS
WHITE COLOUR GLASS**

- Tempered glass
- Glass Profile: 50mm
- Finish: White
- Size: W-600mm, H-1320mm, 18mm board

MRP*

56,500/-



BARS-600

**BOSE ALUMINUM
ROLLING SHUTTERS**

- Aluminum Profile: 25mm
- Finish: Anodized
- Size: W-600mm, H-1320mm, 18mm board

MRP*

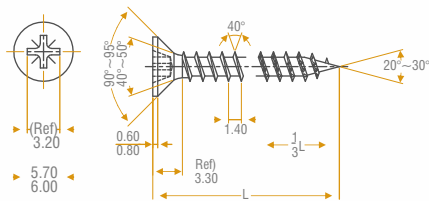
31,500/-

SMALL THINGS TO HELP PRODUCTS WORK OPTIMALLY

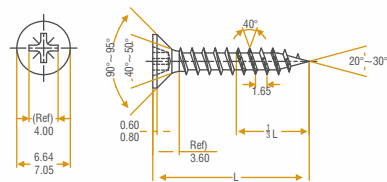
- Faster, easier & less force to drill. The best tooling for making furniture
- Saw thread resembles a saw tooth. This makes it possible to transfer immense force along the screw with a flank of 30° to 40°
- Chipboard screw, Double flat counter sunk head, 2 POZI drive, Saw thread, Zinc plated Cr6+
- Made in Taiwan



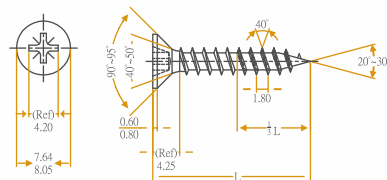
Model: BOSE Screws



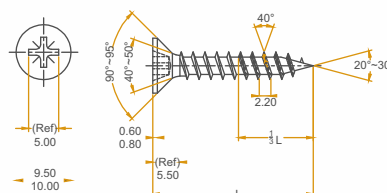
Item	Size in mm	Pcs/Box	MRP*/pc
BCBSS 3012	3 X 12 (5 x 12)	3000	0.72/-



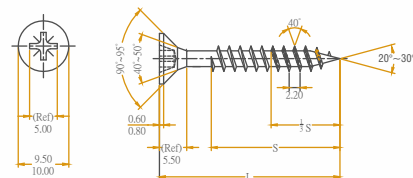
BCBSS 3512	3.5 X 12 (6 x 12)	3000	0.74/-
BCBSS 3516	3.5 X 16 (6 x 16)	3000	0.77/-
BCBSS 3520	3.5 X 20 (6 x 20)	2500	0.90/-
BCBSS 3525	3.5 X 25 (6 x 25)	2000	1.19/-



BCBSS 4020	4 X 20 (8 X 20)	2000	1.20/-
BCBSS 4025	4 X 25 (8 X 25)	1500	1.21/-
BCBSS 4030	4 X 30 (8 X 30)	1500	1.35/-
BCBSS 4035	4 X 35 (8 X 35)	1000	1.55/-
BCBSS 4040	4 X 40 (8 X 40)	1000	2.06/-
BCBSS 4045	4 X 45 (8 X 45)	1000	2.39/-
BCBSS 4050	4 X 50 (8 X 50)	800	2.65/-



BCBSS 5050	5 X 50 (10 X 50)	500	4.00/-
BCBSS 5060	5 X 60 (10 X 60)	500	4.63/-
BCBSS 5070	5 X 70 (10 X 70)	400	5.44/-
BCBSS 5080	5 X 80 (10 X 80)	400	6.06/-

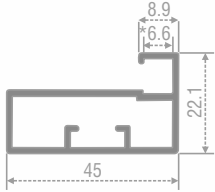


BCBSS 5090	5 X 90 (10 X 90)	300	7.45/-
BCBSS 50100	5 X 100 (10 X 100)	300	8.17/-

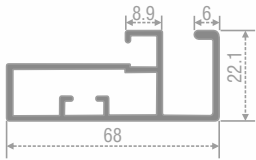
* All prices are in INR, and for per piece

ALUMINUM PROFILES

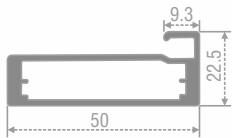
ALUMINUM FRAME PROFILE



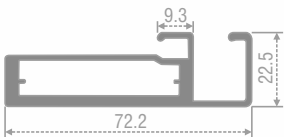
Model:	BAPS-005	BAPS-205	BAPS-505	BAPS-605
Finish:	Anodized Silver	SS Brush	Rose Gold	Black Matt
MRP*	2,125/-	3,150/-	3,150/-	3,150/-



Model:	BAPS-006	BAPS-206	BAPS-506	BAPS-606
Finish:	Anodized Silver	SS Brush	Rose Gold	Black Matt
MRP*	2,990/-	3,600/-	3,600/-	3,600/-

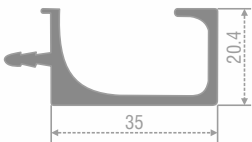


Model:	BAPS-010	BAPS-210	BAPS-510	BAPS-610
Finish:	Anodized Silver	SS Brush	Rose Gold	Black Matt
MRP*	2,925/-	3,650/-	3,650/-	3,650/-

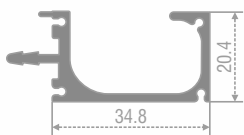


Model:	BAPS-011	BAPS-211	BAPS-511	BAPS-611
Finish:	Anodized Silver	SS Brush	Rose Gold	Black Matt
MRP*	3,775/-	4,450/-	4,450/-	4,450/-

ALUMINUM HANDLE PROFILE



Model:	BAPS-012	BAPS-212	BAPS-512	BAPS-612
Finish:	Anodized Silver	SS Brush	Rose Gold	Black Matt
MRP*	1,950/-	2,950/-	2,950/-	2,950/-



Model:	BAPS-014	BAPS-214	BAPS-514	BAPS-614
Finish:	Anodized Silver	SS Brush	Rose Gold	Black Matt
MRP*	1,950/-	2,950/-	2,950/-	2,950/-

BOSE CLOTH RACK PULL-DOWN

- **Material:** Metal, mechanism cover in Nylon
- **Color:** Light grey
- **Soft Closing:** Cushioned both when opening and closing
- Patented system that, even when loading the weight all on one side, forces the mechanism to always work simultaneously (right arm and left arm) avoiding the imbalances that usually occur.
- No oil shock absorbers to prevent the mechanism's movement system from changing in too hot or too cold a temperature
- For cabinets with internal dimensions between 750mm and 1250mm
- Made in Italy



Model: B. IT. WAS-101

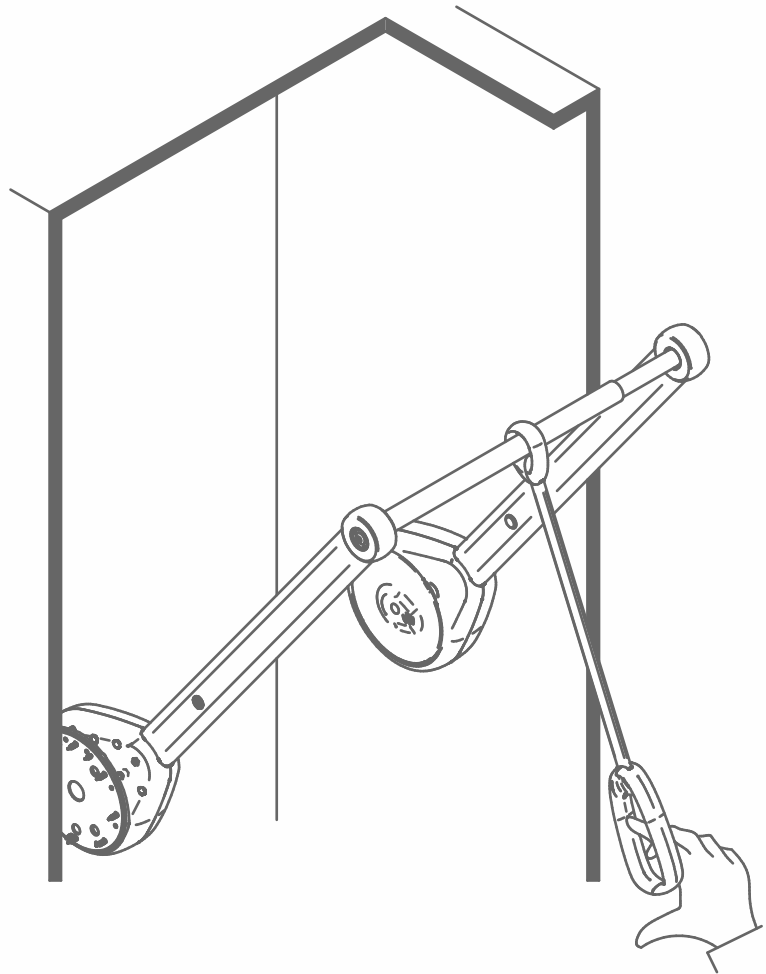
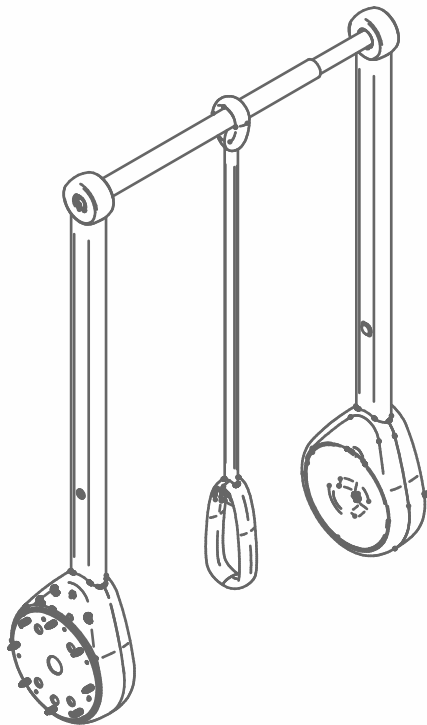
50,000
CYCLE
TEST

15kgs
LOADING
CAPACITY

MRP*

24,000/-

* All prices are in INR, and for per piece



BOSE ADJUSTABLE PULL-OUT SOFT-CLOSE TROUSER RACK



Material: Aluminum, Iron, ABS & Rubber Foam

BWAS-201A

Used for 900mm cabinet
50mm adjustable each side

Size: Diameter- 466mm
Width- 864mm
Height- 75mm

Colour: Brown

MRP: Rs. 9,500 per pc

BWAS-201B

Used for 600mm cabinet
50mm adjustable each side

Size: Diameter- 466mm
Width- 564mm
Height- 75mm

Colour: Brown

MRP: Rs. 8,000 per pc

BOSE ADJUSTABLE PULL-OUT SOFT-CLOSE JEWELLERY TRAY



Material: Aluminum, Iron, ABS & MDF

BWAS-202A

Used for 900mm cabinet
50mm adjustable each side

Size: Diameter- 466mm
Width- 864mm
Height- 85mm

Colour: Brown

MRP: Rs. 13,000 per pc

BWAS-202B

Used for 600mm cabinet
50mm adjustable each side

Size: Diameter- 466mm
Width- 564mm
Height- 85mm

Colour: Brown

MRP: Rs. 11,000 per pc

BOSE ADJUSTABLE PULL-OUT SOFT-CLOSE RATTAN BASKET

Material: Aluminum, Iron, ABS & PE Rattan

BWAS-203A

Used for 900mm cabinet
50mm adjustable each side

Size: Diameter- 468mm
Width- 864mm
Height- 200mm

Colour: Brown

MRP: Rs. 13,000 per pc

BWAS-203B

Used for 600mm cabinet
50mm adjustable each side

Size: Diameter- 468mm
Width- 564mm
Height- 200mm

Colour: Brown

MRP: Rs. 11,000 per pc



BOSE ADJUSTABLE PULL-OUT SOFT-CLOSE SHOE RACK

Material: Aluminum, Iron & ABS

BWAS-204A

Used for 900mm cabinet
50mm adjustable each side

Size: Diameter- 468mm
Width- 864mm
Height- 155mm

Colour: Brown

MRP: Rs. 13,000 per pc

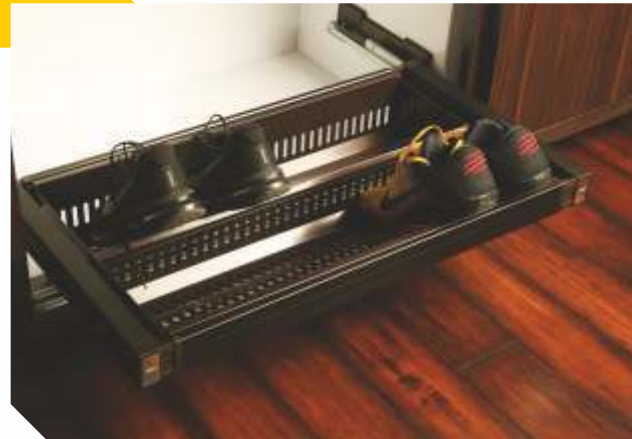
BWAS-204B

Used for 600mm cabinet
50mm adjustable each side

Size: Diameter- 468mm
Width- 564mm
Height- 155mm

Colour: Brown

MRP: Rs. 11,000 per pc



BOSE SIDE PULL-OUT SOFT-CLOSE MULTI-FUNCTIONAL TIE RACK

Material: Aluminum, Iron & ABS

BWAS-211

Size: Diameter- 460mm
Width- 164mm
Height- 300mm

Colour: Brown

MRP: Rs. 6,000 per pc





BOSE TOP-MOUNTED SOFT-CLOSE TROUSER RACK

Material: Aluminum, Iron, ABS & Rubber Foam

BWAS-212

Size: Diameter- 455mm
Width- 610mm
Height- 125mm

Colour: Brown

MRP: Rs. 7,000 per pc



BOSE PULL-OUT SOFT-CLOSE TROUSER RACK

Material: Aluminum, Iron, ABS & Rubber Foam

BWAS-213

Size: Diameter- 455mm
Width- 350mm
Height- 155mm

Colour: Grey

MRP: Rs. 6,925 per pc



BOSE PULL-OUT SOFT-CLOSE CLOTHES HANGER RACK

Material: Aluminum, Iron & ABS

BWAS-214

Size: Diameter- 455mm
Width- 88mm
Height- 125mm

Colour: Grey

MRP: Rs. 5,075 per pc

BOSE MEDIUM DUTY HANGING WOODEN DOOR SLIDING

- Dry damper helps avoid leakage problem
- Using 304 Stainless Steel
- Two way soft closing
- Also can install in bathroom
- Progressive closing lowers the possibility of hand clamping
- Safety, Silent and Smoothness
- Finish: Stainless Steel
- No need for bottom track which makes wardrobe look more elegant and stylish
- Damper Dimension: 440 x 27 x 24mm
- Pull Force Value: 3.5kg
- Soft-Close Stroke: 70mm
- Minimum door thickness: 610mm
- Made in Taiwan



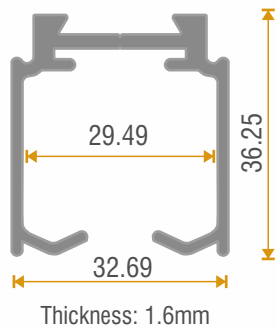
Model: BTW SLD 050

50,000
CYCLE
TEST

50kgs
LOADING
CAPACITY

MRP* **10,500/-**

* All prices are in INR, and for per pair



BCS 080

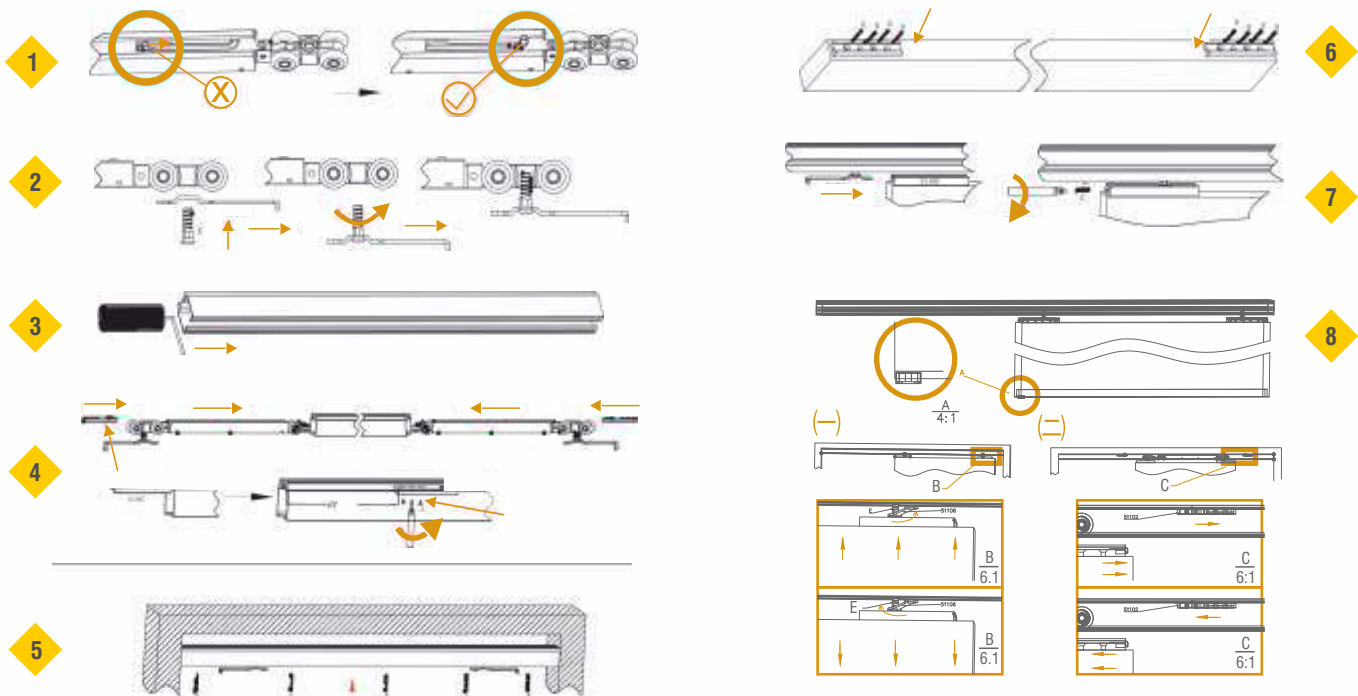
Top Track

Made from A Grade Aluminum

SIZE	2440mm	3660mm
MRP*	6,000/-	9,000/-

*Prices are in INR, and for per set

INSTALLATION GUIDELINE



BOSE WOODEN SLIDING HEAVY DUTY SOFT-CLOSE



Model: BTW SLD 080

- Dry damper helps avoid leakage problem
- Using 304 Stainless Steel
- Also can install in bathroom
- Progressive closing also lowers the possibility of hand clamping
- Safety, Silent and Smoothness
- **Finish:** Stainless Steel
- No need for bottom track which makes wardrobe look more elegant and stylish
- **Damper Dimension:** 336 x 27 x 24mm
- **Pull Force Value:** 3.5kg
- **Soft-Close Stroke:** 70mm
- **Made in Taiwan**

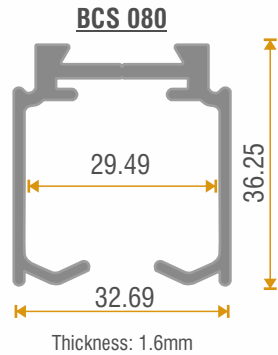
MRP* 14,950/-

50,000
CYCLE
TEST

80kgs
LOADING
CAPACITY

* All prices are in INR, and for per pair

SLIDING TRACK



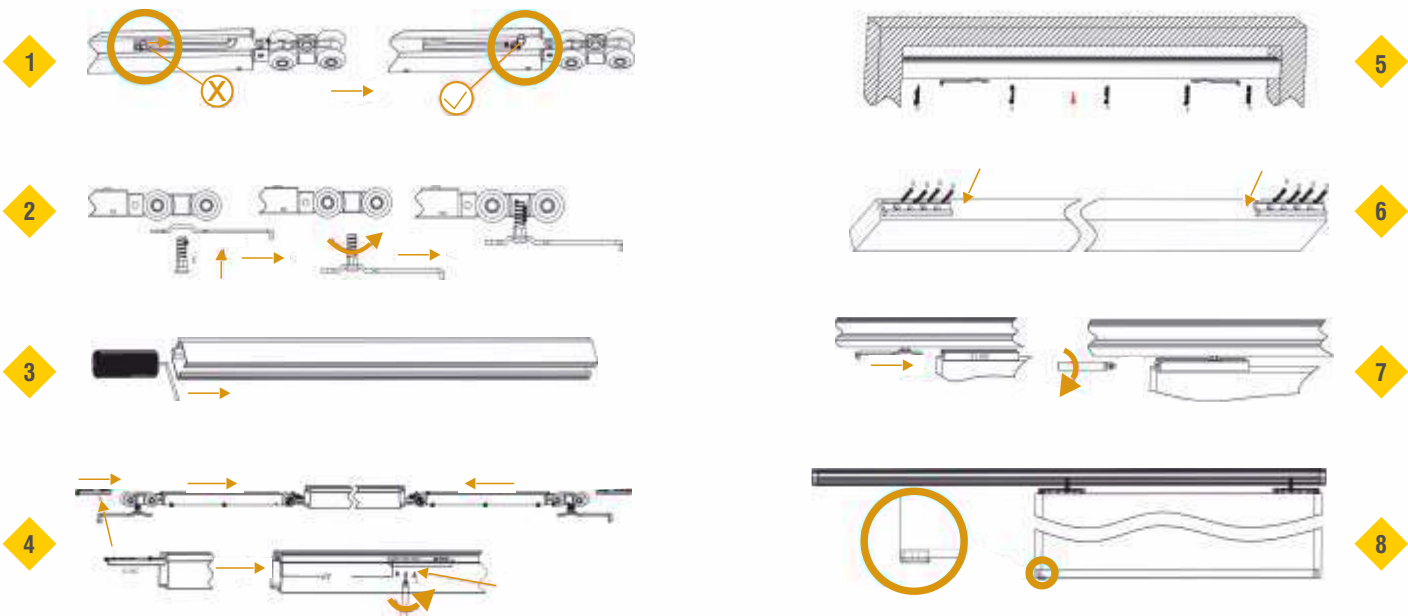
Top Track

Made from A Grade Aluminum

SIZE	2440mm	3660mm
MRP*	6,000/-	9,000/-

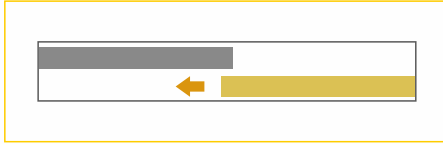
*All prices are in INR, and for per piece

INSTALLATION GUIDELINE



BOSE WOODEN SLIDING HEAVY DUTY SOFT-CLOSE

- BOSE Sliding System with Two-Way Soft-Close
- Stainless Steel Model
- Safety, Silent & smoothness
- Silent Soft-Close
- No need for bottom track which makes wardrobe look more elegant and stylish



50,000
CYCLE
TEST

120kgs
WEIGHT
CAPACITY

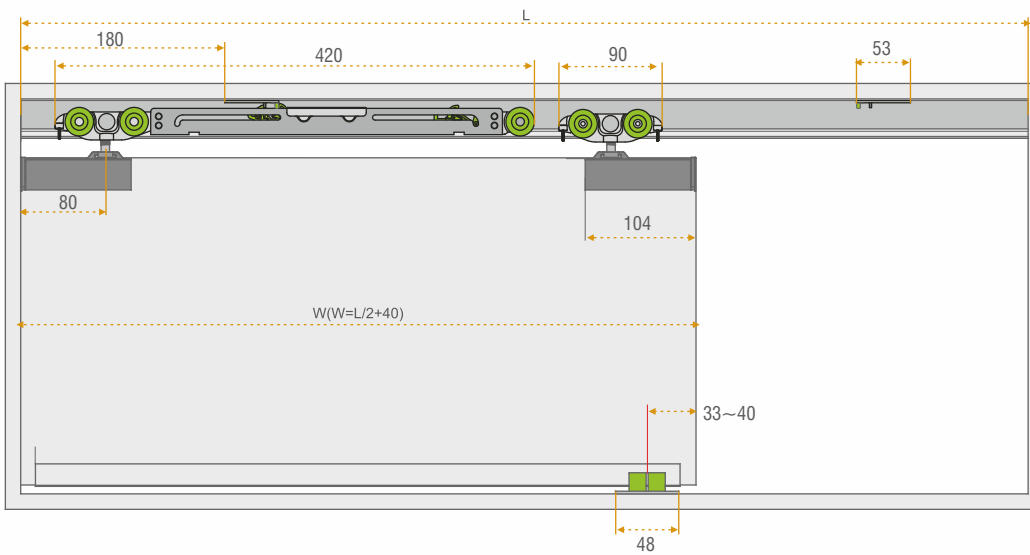
MRP* 19,950/-

* All prices are in INR, and for per set

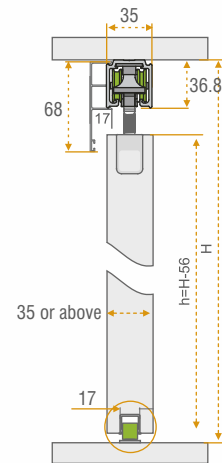


Model: BSLD H 120

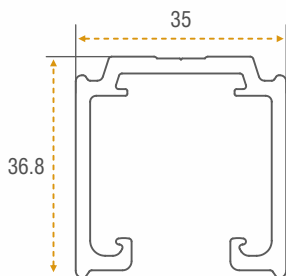
INSTALLATION GUIDELINE



Door height(h) = H-56mm



SLIDING TRACKS



BCS H 120

Finish: Matt Black
Made from A Grade Aluminum

SIZE	2440mm	3660mm
MRP*	9,450/-	14,100/-

*All prices are in INR, and for per piece



* All prices are in INR, and for per set.

BOSE TOP-LINE WITH FRONT DOOR



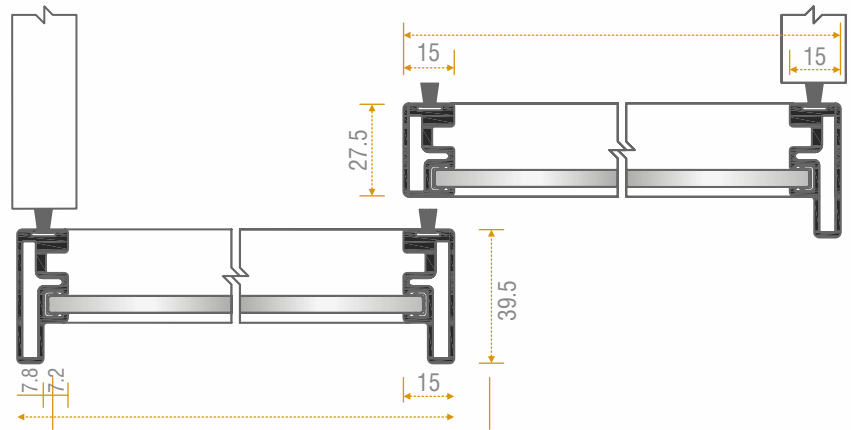
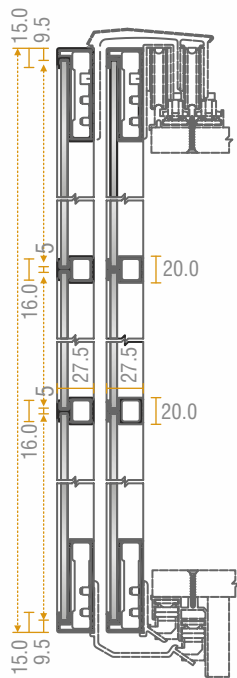
Model: BTL 1840*2

- Two-way damping device
- Damping function exists while door opening & door closing
- Anti-slipping off mechanism to prevent door panel skipping out-of-track and to ensure a secure functionality
- Door height & gap between doors adjustable
- Suitable for door thickness: 18-40mm
- Applied with profile

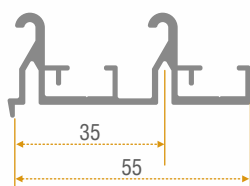
MRP 21,450/-
(2 Door Set)

50,000 CYCLE TEST | 80kgs LOADING CAPACITY

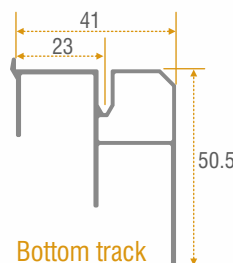
INSTALLATION GUIDELINE



SLIDING TRACK



Top track



Bottom track

BCS BTL

Finish: Matt Black

Made from A Grade Aluminum

SIZE	2440mm	3660mm
MRP*	8,000/-	12,000/-

*All prices are in INR, and for per set.

BOSE WOODEN SLIDING

- Two-way damping device
- Damping function exists while door opening & door closing
- Anti-slipping off mechanism to prevent door panel skipping out-of-track and to ensure a secure functionality
- Door height & gap between doors adjustable
- Suitable for door thickness: 18-40mm



Model: BTL 1840*3

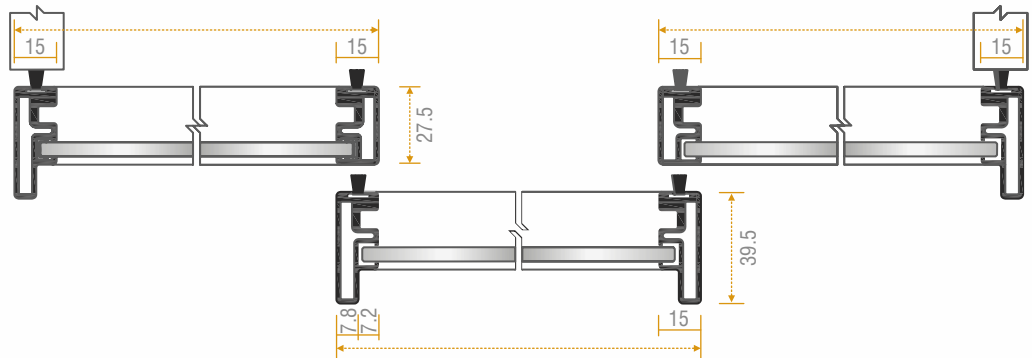
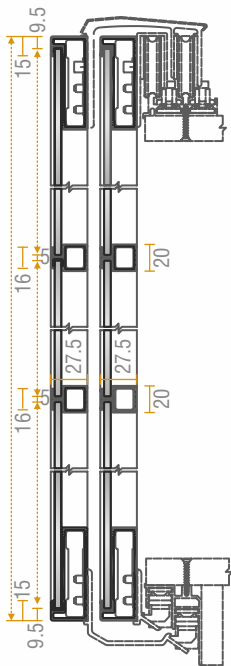
50,000
CYCLE
TEST

80kgs
LOADING
CAPACITY

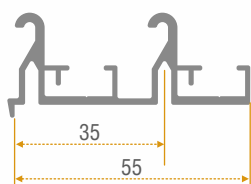
MRP 34,150/-

(3 Door Set)

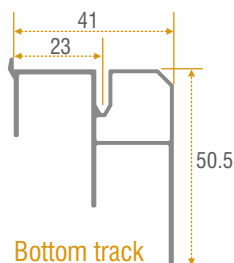
INSTALLATION GUIDELINE



SLIDING TRACK



Top track



Bottom track

BCS BTL

Finish: Matt Black

Made from A Grade Aluminum

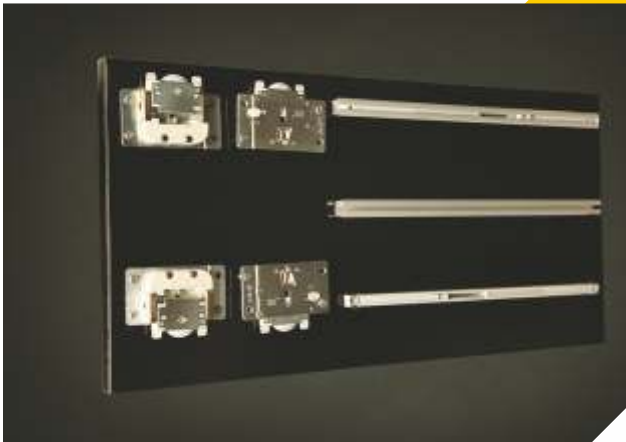
SIZE 2440mm 3660mm

MRP* 8,000/- 12,000/-

*All prices are in INR, and for per set.

WOODEN SLIDING SERIES

BOSE WOODEN SLIDING SOFT-CLOSE



Model: BSLD-009

- Concealed Damper with Re-set Function
- Damper with Anti-jump & Anti-decoupling Function
- **Single Door Size Requirement:** Width 500-1200mm, Height \leq 2500mm
- 48 Hours Salt Spray Test

Anti-jumping: the runners will run well pressed the rail; so there will be no problem of jumping when the door is opening or closing



Anti-decoupling: these two parts will lock the dampers properly so the runners won't run out of the rail

MRP

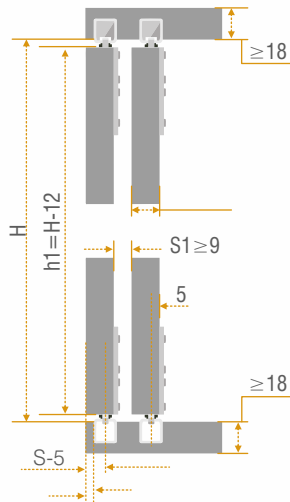
6,050/-

(2 Door Set)

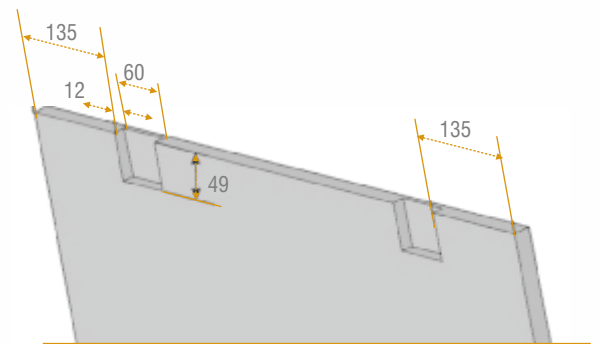
50,000
CYCLE
TEST

50kgs
WEIGHT
CAPACITY
(single door)

WOODEN DOOR INSTALLATION



SLOT ON DOOR PANEL

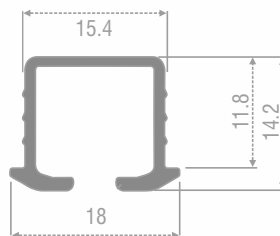


BCS-009

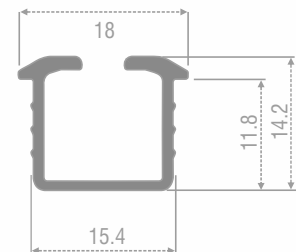
Treatment on the tracks: Silver High Gloss plus Electrophoresis, which will lead to glossy surface & a smoother running.

SIZE	2440mm	3660mm
MRP*	1,100/-	1,650/-

* All prices are in INR, and for per piece.



Top track



Bottom track

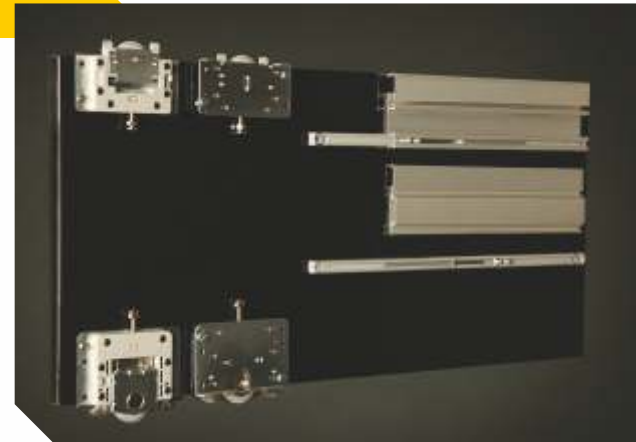
BOSE WOODEN SLIDING SOFT-CLOSE

- External Installation, No Cutting or Grooving Needed
- Concealed Damper with Re-set Function
- Damper with Anti-jump & Anti-decoupling Function
- **Single Door Size Requirement:**
Width 500-1200mm, Height \leq 2500mm
- 48 Hours Salt Spray Test

Anti-jumping: the runners will run well pressed the rail; so there will be no problem of jumping when the door is opening or closing



Anti-decoupling: these two parts will lock the dampers properly so the runners won't run out of the rail



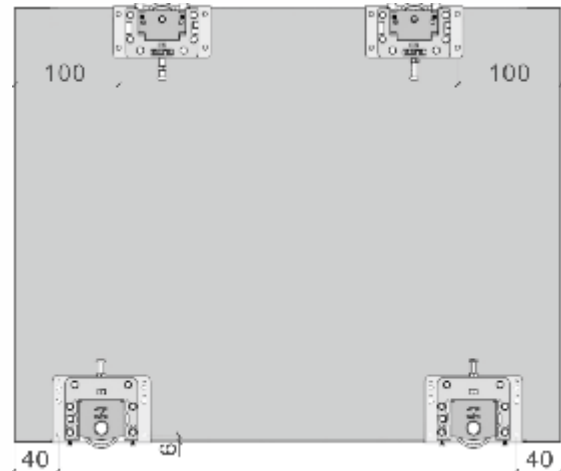
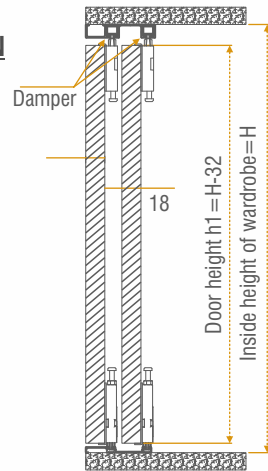
Model: BSLD-010

50,000
CYCLE
TEST

50kgs
WEIGHT
CAPACITY
(single door)

MRP **6,050/-**
(2 Door Set)

WOODEN DOOR INSTALLATION



BCS 010

Treatment on the tracks: Silver High Gloss plus Electrophoresis, which will lead to glossy surface & a smoother running.

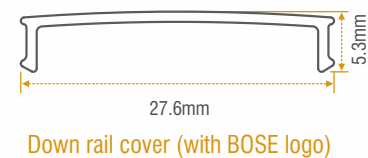
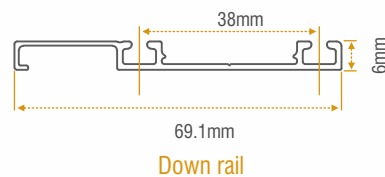
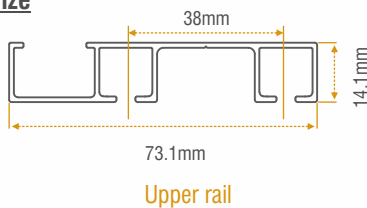
BCS-010

(Top and bottom track)

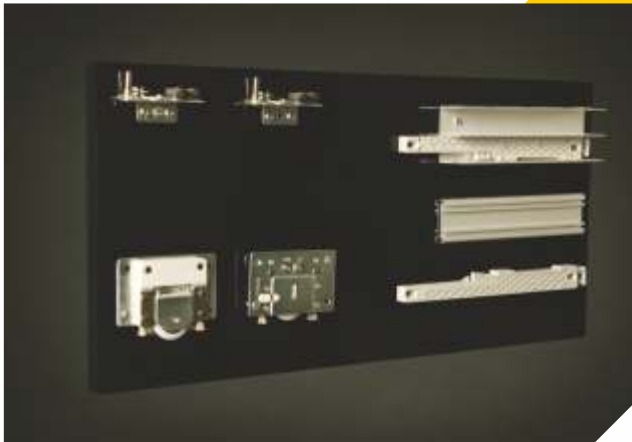
SIZE	2440mm	3660mm
MRP*	5,950/-	8,925/-

* All prices are in INR, and for per set

Rail Size

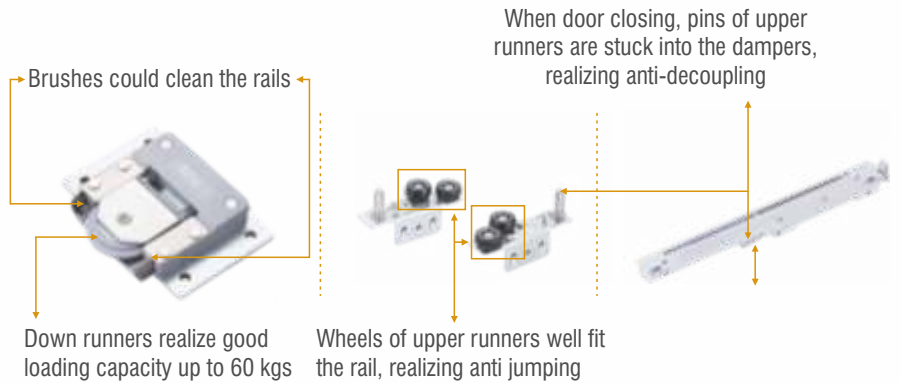


BOSE WOODEN SLIDING SOFT-CLOSE



Model: BSLD-121

- Brush on runners, smooth & silent
- Damper with Anti-jump & Anti-decoupling Function
- Single Door Size Requirement: Width: 500-1200mm, Height: <2500mm
- 48 Hours Salt Spray Test

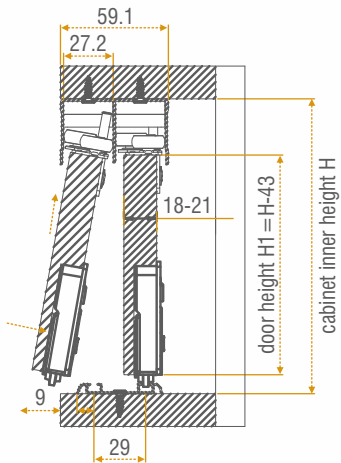


MRP **6,050/-**
2 door set

50,000 CYCLE TEST
60kgs WEIGHT CAPACITY (SINGLE DOOR)

INSTALLATION GUIDELINE

18mm ≤ Door Thickness ≤ 21mm



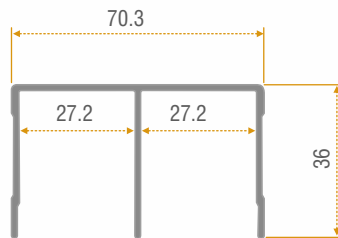
SLIDING TRACKS

Treatment on the tracks: Silver High Gloss plus Electrophoresis, which will lead to glossy surface & a smoother running.

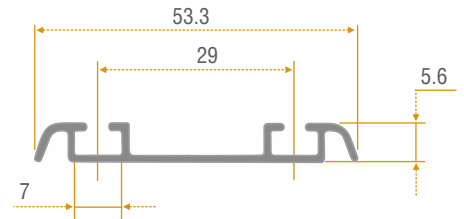
BCS-121
(Top and bottom track)

SIZE	2440mm	3660mm
MRP*	5,350/-	8,025/-

* All prices are in INR, and for per set



Top Track



Bottom Track

BOSE INLINE SYSTEM

- Two doors close in one piece, elegant looking
- Double soft-closing function
- **Apply to Thickness of Door:**
18mm-45mm wooden door, aluminium frame door.
- Brush on runners, smooth & silent
- **Salt Spray Test:** 48 hours
- **Finish:** Mettalic Grey

50,000
CYCLE
TEST

60kgs
LOADING
CAPACITY

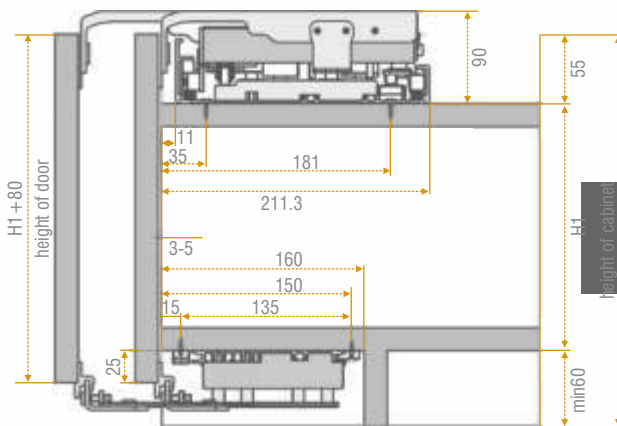


Model: BSLD INL

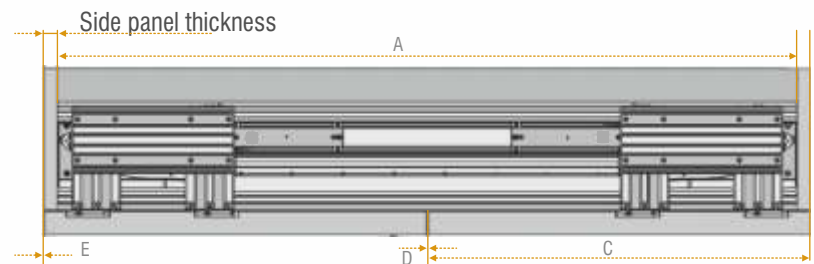
SIZE	1800mm/2000mm/2100mm	2400mm
MRP*	1,00,650/-	1,05,000/-

* All prices are in INR, and for per set

INSTALLATION GUIDELINE



Thickness of door 18-45mm(Handle included)



A: inner width of cabinet
E: gap between side panel & door

D: gap between two doors(3-5mm)
C: width of door = $\frac{A+2T-2E-D}{2}$

WOODEN SLIDING SERIES

BOSE 4 WHEEL WOODEN SLIDING SOFT-CLOSE

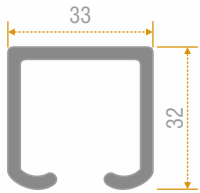
- Main Material: Iron & Zinc, Alloy & Plastic
- Minimum Door Width: 900mm



Model: BSLD-111

MRP*	6,200/-	40,000 CYCLE TEST	50kgs WEIGHT CAPACITY
	per set		

SLIDING TRACKS



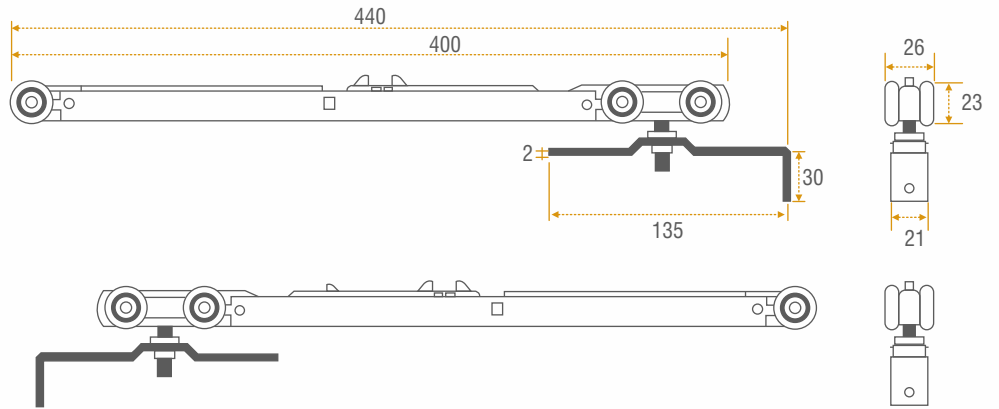
BSC-011

Finish: Anodized Silver

SIZE	3600mm
MRP	5,100/-

per piece

INSTALLATION GUIDELINE



BOSE 4 WHEEL WOODEN SLIDING SOFT-CLOSE

- Main Material: Iron & Zinc, Alloy & Plastic
- Minimum Door Width: 700mm

30,000
CYCLE
TEST

40kgs
WEIGHT
CAPACITY

MRP*

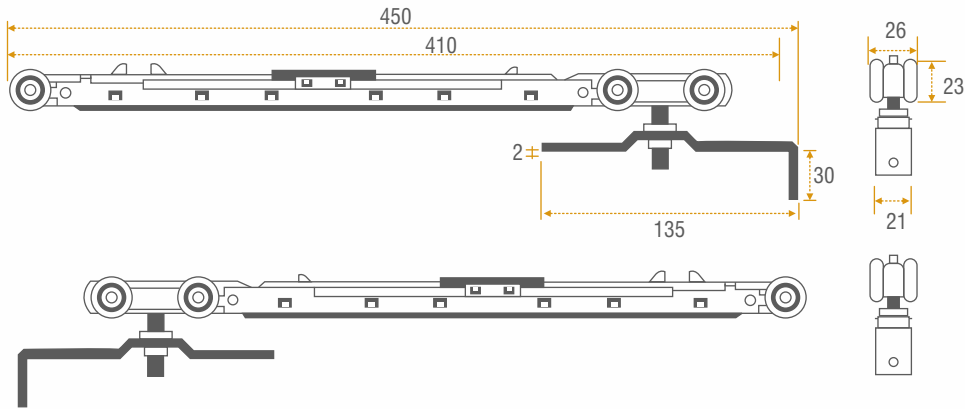
5,650/-

per set

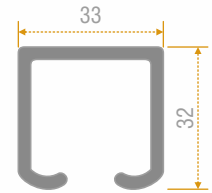


Model: BSLD 111-BS

INSTALLATION GUIDELINE



SLIDING TRACKS



BSC-011

Finish: Anodized Silver

SIZE	3600mm
MRP*	5,100/-

per piece

WOODEN SLIDING SERIES

BOSE 8 WHEEL WOODEN SLIDING SOFT-CLOSE



Model: BSLD-112

- Main Material: Iron & Zinc, Alloy & Plastic
- Minimum Door Width: 900mm

MRP

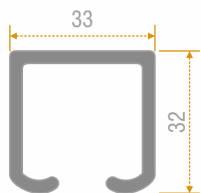
7,150/-

per set

40,000
CYCLE
TEST

60kgs
WEIGHT
CAPACITY

SLIDING TRACKS



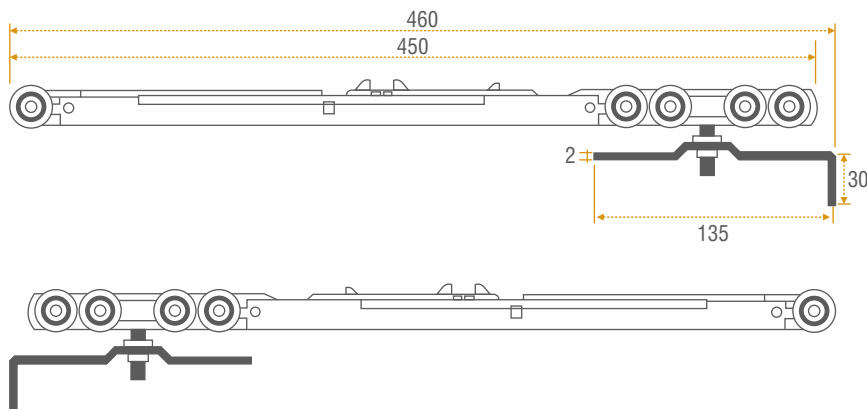
BSC-011

Finish: Anodized Silver

SIZE	3600mm
MRP	5,100/-

per piece

INSTALLATION GUIDELINE



BOSE 8 WHEEL WOODEN SLIDING SOFT-CLOSE

- Main Material: Iron & Zinc, Alloy & Plastic
- Minimum Door Width: 700mm



Model: BSLD 112-BS

40,000
CYCLE
TEST

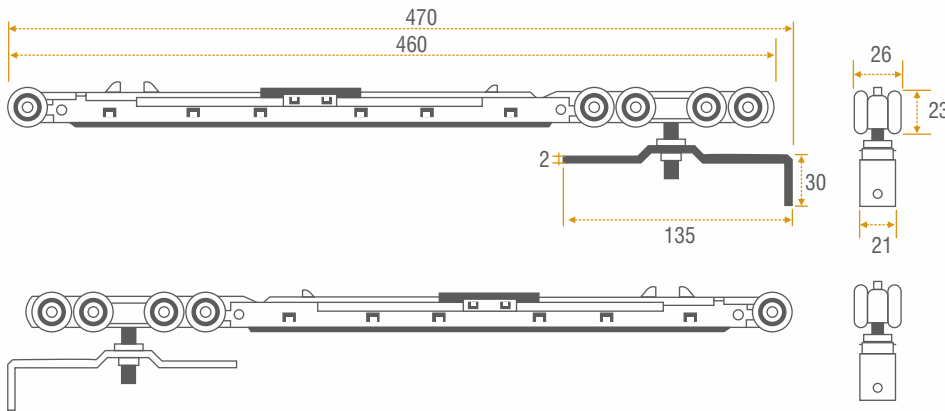
60kgs
WEIGHT
CAPACITY

MRP*

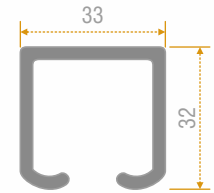
6,600/-

per set

INSTALLATION GUIDELINE



SLIDING TRACKS



BSC-011

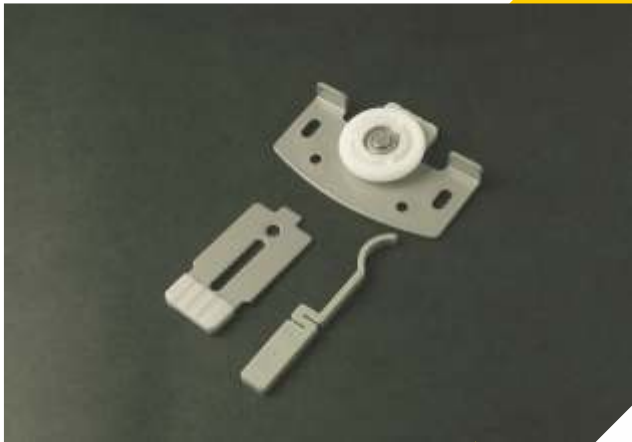
Finish: Anodized Silver

SIZE	3600mm
MRP	5,100/-

per piece

BOSE WOODEN SLIDING

- **Main Material:** Premium Bearing, Steel, Nylon
- **Finish:** Metallic Grey

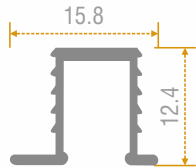


Model: BSLD-002

MRP **395/-**
(per pair)

30kgs
LOADING
CAPACITY
per door

SLIDING TRACKS



Top & bottom track

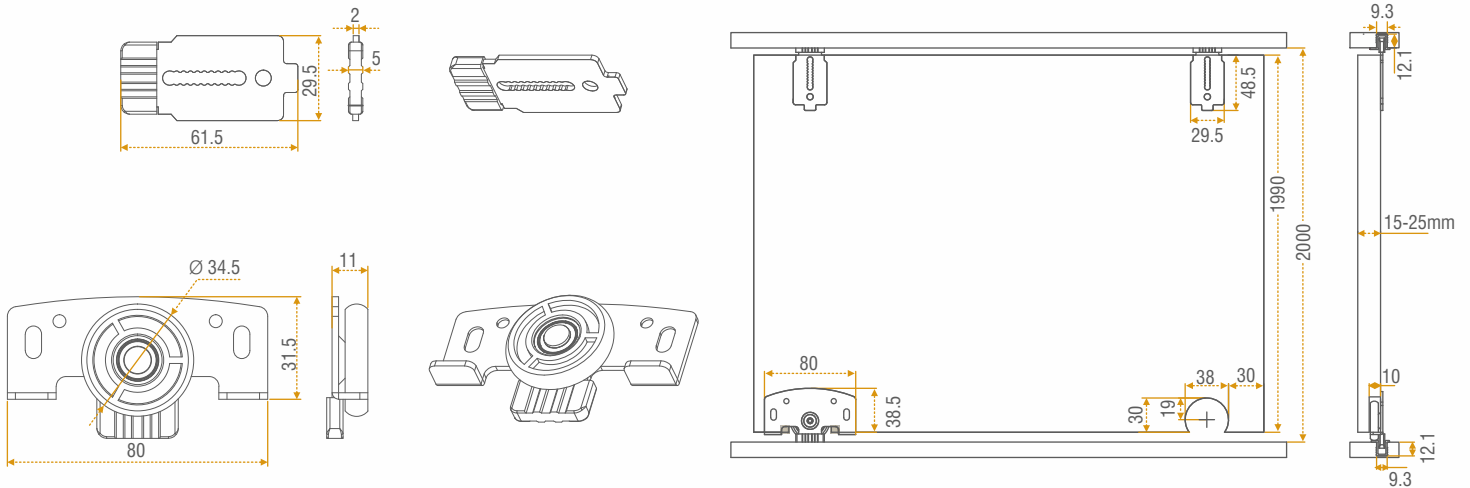
BSC-014

Finish: Anodized Silver

SIZE	2400mm	3000mm	3600mm
MRP*	675/-	845/-	1,015/-

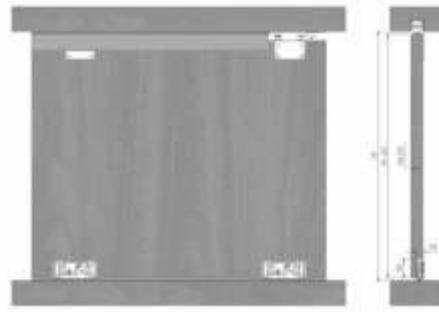
* All prices are in INR, and for per piece.

INSTALLATION GUIDELINE



BOSE WOODEN SLIDING

- **Main Material:** Premium Bearing, Steel, Nylon
- **Finish:** Metallic Grey



40kgs
LOADING
CAPACITY

per door

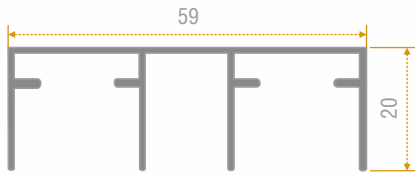
MRP

825/-

per pair

Model: BSLD-003

SLIDING TRACKS - DOUBLE DOOR

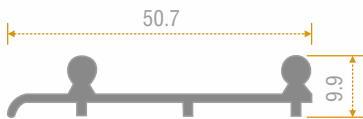


Top track

BSC-015A

Finish: Anodized Silver

SIZE	2440mm	3600mm
MRP*	2,050/-	3,075/-



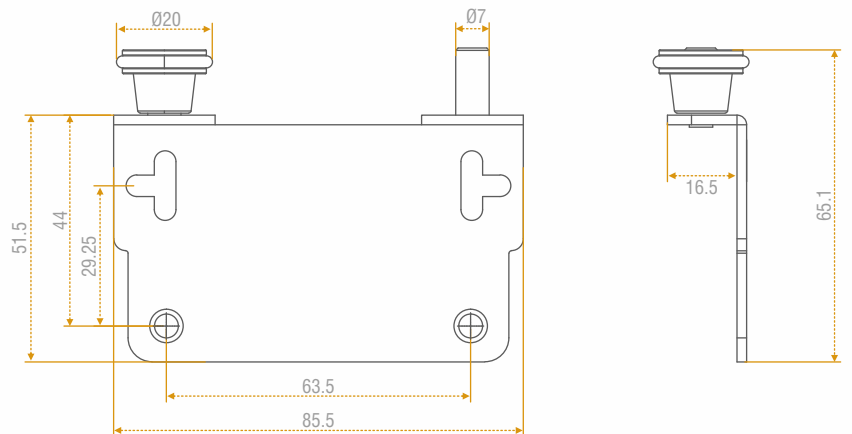
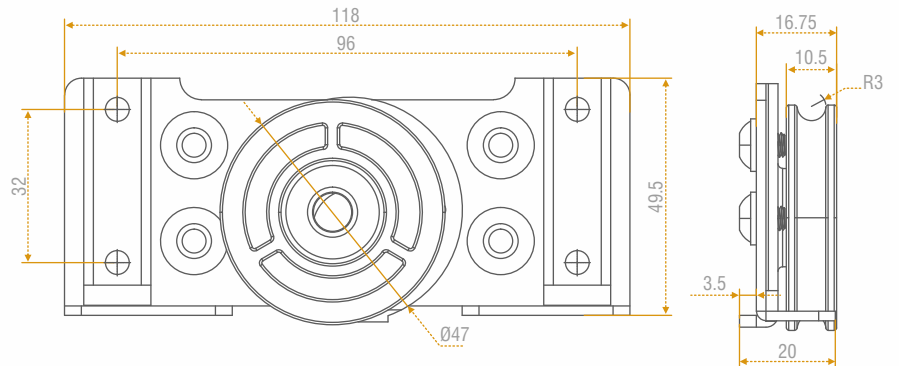
Bottom track

BSC-015B

Finish: Anodized Silver

SIZE	2440mm	3600mm
MRP*	1,450/-	2,175/-

INSTALLATION GUIDELINE



BOSE WOODEN SLIDING FOLDING SYSTEM SOFT-CLOSE



Model: BSLD-008

- Damper with Anti-jumping and Anti-decoupling function
- Auto reset function, easy adjustment
- High quality material for wheel to achieve best silent performance and long life span
- Maximum Width: 600mm for 1 small door

MRP*

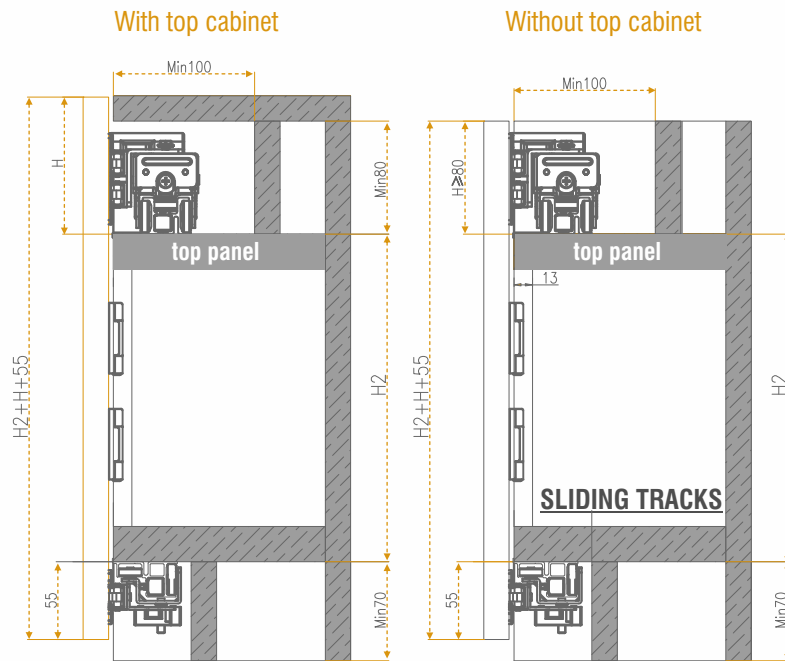
7,750/-

2 small doors

25kgs
WEIGHT
CAPACITY

1 small door

INSTALLATION GUIDELINE



INSTALLATION DIMENSION

Single door width: 300 - 600 mm;

Single door loading capacity: 25 kgs; Single door thickness: ≥ 16 mm

Door height $h = H2 + H + 55$ Door width $W = \frac{L - 2n + 2}{4}$ $n = \text{door's quantity}$
 $H = \text{Door's height} - \text{top panel's height}$ Side panel $F = 18\text{mm}$

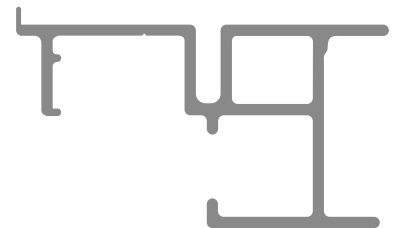
SLIDING TRACKS

BCS 008

Finish: Anodized silver



Top track



Bottom track

SIZE	2440mm	3660mm
MRP*	5,000/-	7,500/-

BOSE WOODEN SLIDING

- Soft-Close
- For 2 doors
- **Finish:** Blue Zinc
- Set contains: 4 upper rollers + 4 lower rollers + 4 Soft-Close



40kgs
LOADING
CAPACITY

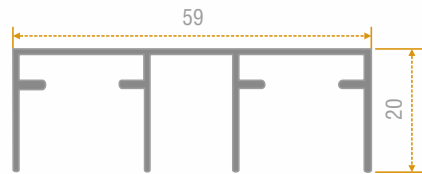
MRP*

3,425/-

per set

Model: BSLD-103

SLIDING TRACKS - DOUBLE DOOR

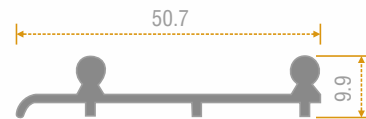


Top track

BSC-015A

Finish: Anodized silver

SIZE	2440mm	3600mm
MRP*	2,050/-	3,075/-



Bottom track

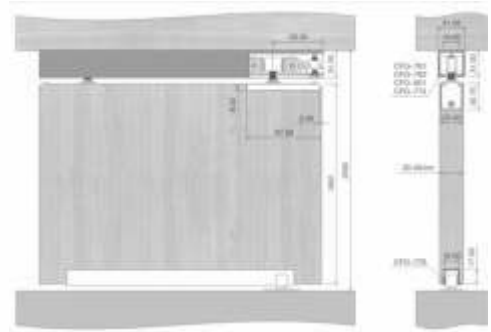
BSC-015B

Finish: Anodized silver

SIZE	2440mm	3600mm
MRP*	1,450/-	2,175/-

BOSE 4 WHEEL WOODEN SLIDING

- **Main Material:** Premium Bearing, Alloy, Steel, Nylon
- **Finish:** Metallic Grey



Model: BSLD-011

MRP **1,715/-**
(per pair)

80kgs
LOADING
CAPACITY
per door

SLIDING TRACKS

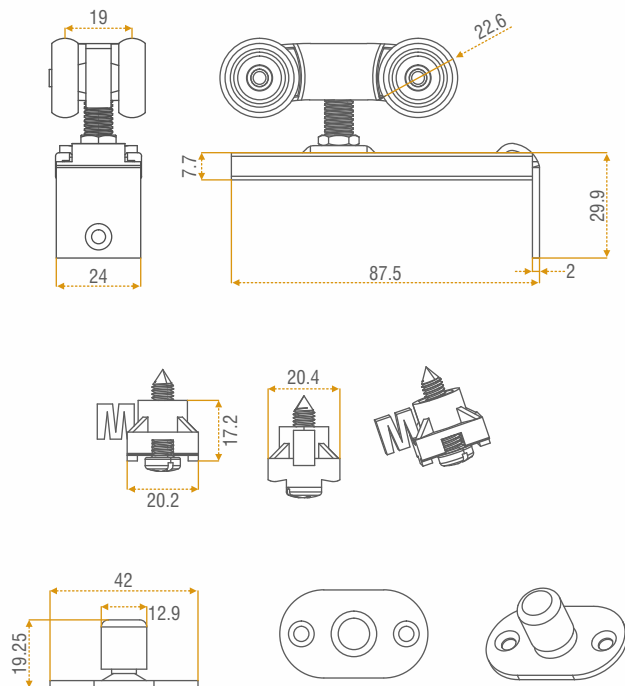


SIZE	2440mm	3600mm
MRP*	3,400/-	5,100/-



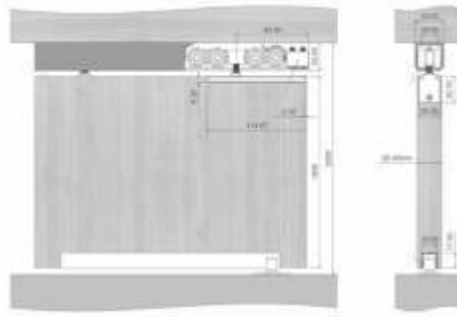
SIZE	2440mm	3600mm
MRP*	1,000/-	1,500/-

INSTALLATION GUIDELINE



BOSE 8 WHEEL WOODEN SLIDING

- **Main Material:** Premium Bearing, Alloy, Steel, Nylon
- **Finish:** Pearl Chrome
- **Loading Capacity:** 100kgs/ door



80kgs
LOADING
CAPACITY
per door

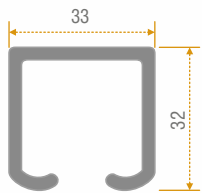
MRP

2,350/-

(per pair)

Model: BSLD-012

SLIDING TRACKS

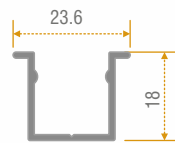


Top track

BSC-011

Finish: Anodized Silver

SIZE	2440mm	3600mm
MRP*	3,400/-	5,100/-



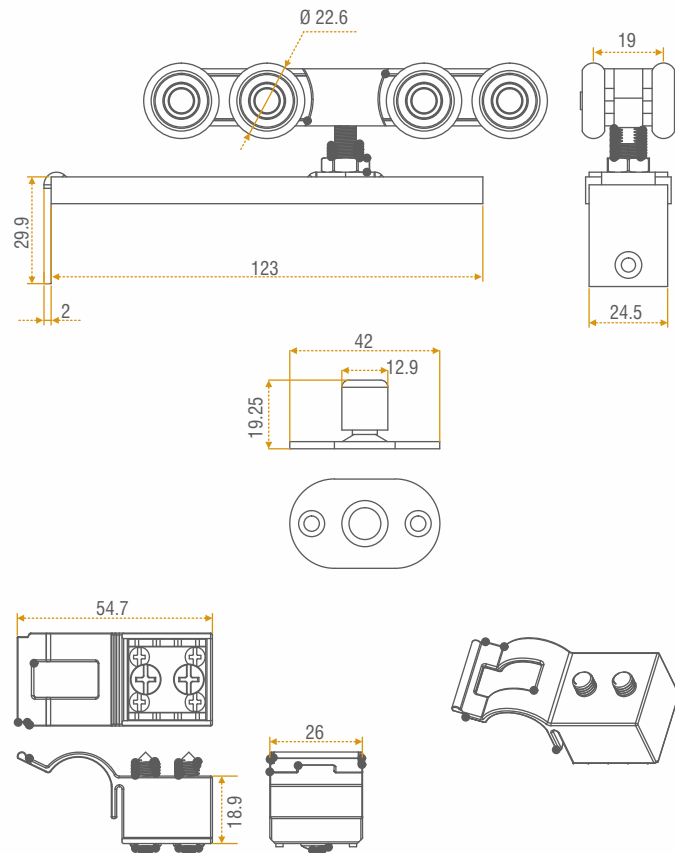
Bottom track

BCS BT

Finish: Anodized Silver

SIZE	2440mm	3600mm
MRP*	1,000/-	1,500/-

INSTALLATION GUIDELINE



BOSE THICK DOOR HINGES SOFT-CLOSE

- Hinges with built-in damper for Soft-Close
- **Material:** High Quality
- **Surface:** Copper & Nickel treatment
- **Durability Test:** 50,000 Cycle (open & close)
- 48 Hours Neutral Salt Spray Test
- Soft-Close
- 4 holes mounting plate
- Clip-on Hinge

105°
OPENING
DEGREE

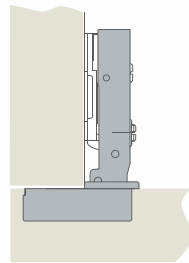
18-28mm
DOOR
THICKNESS



BAH-CL-TD-051

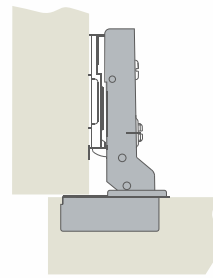


BAH-CL-TD-052



Full Overlay Hinges

MRP* 595/-



Half Overlay Hinges

MRP* 595/-

BOSE PREMIUM SLIDE ON-HINGE

- **Material:** High Quality
- **Surface:** Copper & Nickel treatment
- **Durability Test :** 50,000 Cycle (open & close)
- 48 Hours Neutral Salt Spray Test
- 4 holes mounting plate
- Slide-on Hinge

110°
OPENING
DEGREE

14-22mm
DOOR
THICKNESS



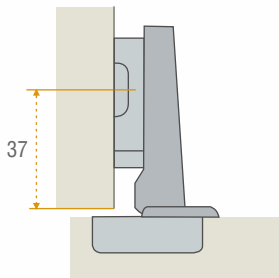
BAH-SL-001



BAH-SL-002



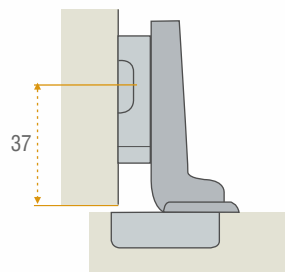
BAH-SL-003



Full Overlay Hinges

MRP*

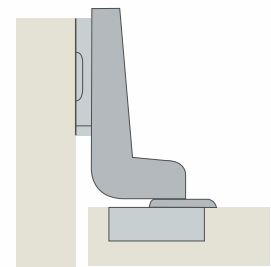
125/-



Half Overlay Hinges

MRP*

125/-



Inset Overlay Hinges

MRP*

125/-

BOSE PREMIUM 3D SOFT-CLOSE HINGES

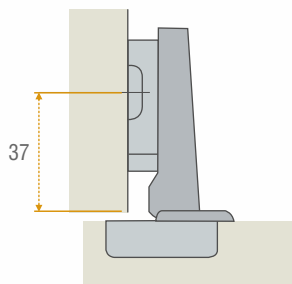


Model: BAH-3D

- Hinges with built-in damper for Soft-Close
- **Material:** High Quality
- **Surface:** Copper & Nickel treatment
- **Durability Test:** 50,000 Cycle (open & close)
- 48 hours neutral salt spray test
- 4 holes mounting plate
- clip-on soft-closing hinge with cam

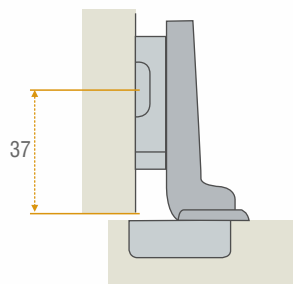
105°
OPENING
DEGREE

14-22mm
DOOR
THICKNESS



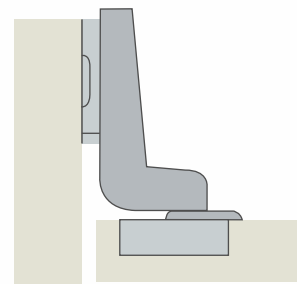
BAH-3D-311
Full Overlay Hinges
Soft-Close

MRP* 445/-



BAH-3D-312
Half Overlay Hinges
Soft-Close

MRP* 445/-



BAH-3D-313
Inset Overlay Hinges
Soft-Close

MRP* 445/-

BOSE SOFT-CLOSE HINGES

- Hinges with built-in damper for Soft-Close
- **Material:** High Quality
- **Surface:** Copper & Nickel treatment
- **Durability Test :** 50,000 Cycle (open & close)
- 48 Hours Neutral Salt Spray Test
- Soft-Close
- 4 holes mounting plate
- Clip-on hinge

105°
OPENING
DEGREE

14-22mm
DOOR
THICKNESS



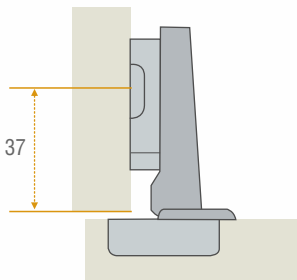
BAH-CL-011



BAH-CL-012



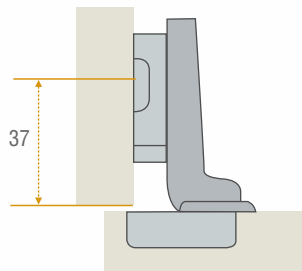
BAH-CL-013



Full Overlay Hinges

MRP*

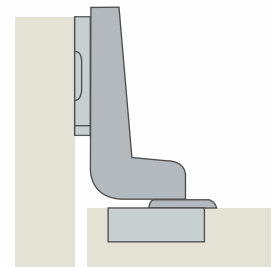
375/-



Half Overlay Hinges

MRP*

375/-



Inset Overlay Hinges

MRP*

375/-

BOSE PREMIUM CLIP-ON HINGE

- **Material:** High Quality
- **Surface:** Copper & Nickel treatment
- **Durability Test :** 50,000 Cycle (open & close)
- 48 Hours Neutral Salt Spray Test
- 4 holes mounting plate
- Clip-on hinge

110°
OPENING
DEGREE

14-22mm
DOOR
THICKNESS



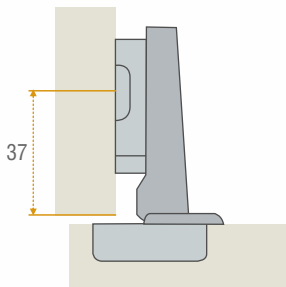
BAH-CL-021



BAH-CL-022



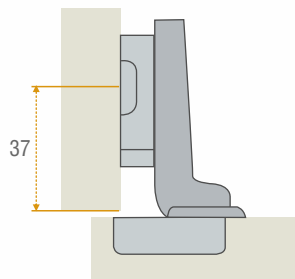
BAH-CL-023



Full Overlay Hinges

MRP*

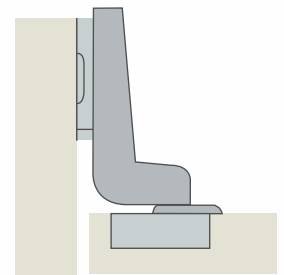
200/-



Half Overlay Hinges

MRP*

200/-



Inset Overlay Hinges

MRP*

200/-

BOSE CORNER HINGE 165°

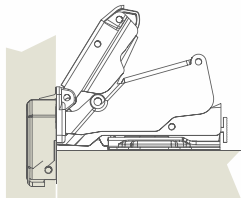
- Hinges with built in damper for Soft-Close
- **Material:** High Quality
- **Surface:** Copper & Nickel treatment
- **Durability Test:** 50,000 Cycle (open & close)
- 48 Hours Neutral Salt Spray Test
- 4 holes mounting plate
- Clip-on soft-closing hinge with cam

165°
OPENING
DEGREE

14-26mm
DOOR
THICKNESS



BAH-CL-CR-SF-165



Full Overlay Hinges
Soft-Close

MRP* 1,265/-

BOSE CORNER HINGE 165°

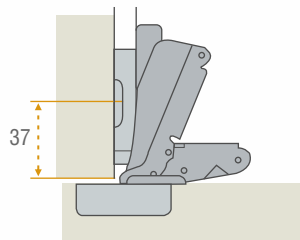
- **Material:** High Quality
- **Surface:** Copper & Nickel treatment
- **Durability Test:** 50,000 Cycle (open & close)
- 48 Hours Neutral Salt Spray Test
- 4 holes mounting plate
- Slide on Hinge

165°
OPENING
DEGREE

14-26mm
DOOR
THICKNESS



BAH-CR-RG-165



Full Overlay Hinges

MRP* 775/-

BOSE BLIND-FOLD 135°

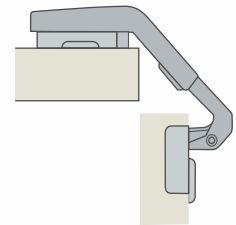
- **Material:** High Quality
- **Surface:** Copper & Nickel treatment
- **Durability Test:** 50,000 Cycle (open & close)
- 48 Hours Neutral Salt Spray Test
- 4 holes mounting plate
- Slide on Hinge

135°
OPENING
DEGREE

14-22mm
DOOR
THICKNESS



BAH-BF-RG-135



MRP* 775/-

BOSE SS 304 SOFT-CLOSE HINGES

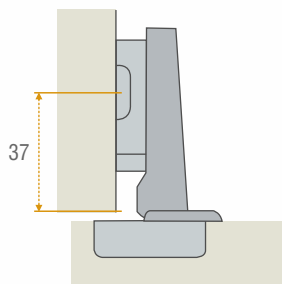


- Hinges with built-in damper for Soft-Close
- **Material:** High quality
- **Surface:** Copper & Nickel treatment
- **Durability Test:** 50,000 Cycle (open & close)
- 48 hours neutral salt spray test
- 4 holes mounting plate
- Clip-on hinge

Model: BAH-CL-SS

105°
OPENING
DEGREE

14-22mm
DOOR
THICKNESS

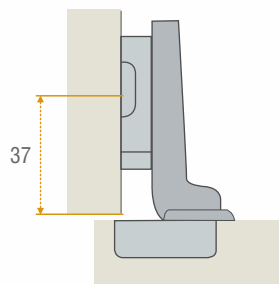


BAH-CL-SS-011

Full Overlay Hinges

MRP*

750/-

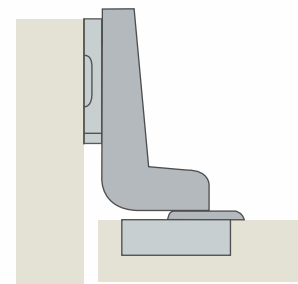


BAH-CL-SS-012

Half Overlay Hinges

MRP*

750/-



BAH-CL-SS-013

Inset Overlay Hinges

MRP*

750/-

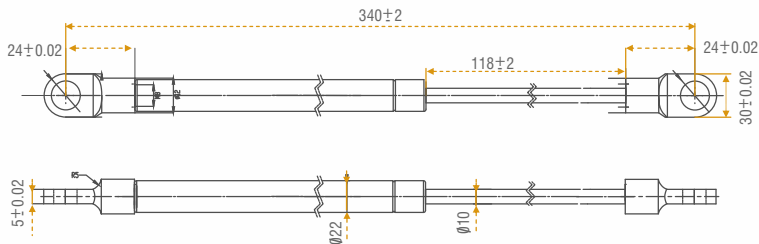
BOSE PRO-LIFT FOR BED/WT

- Tube: Black colour
- 50,000 Cycle test
- 96 hours salt spray test
- Operating temperature of gas pro-lift is -20 + 75 degree



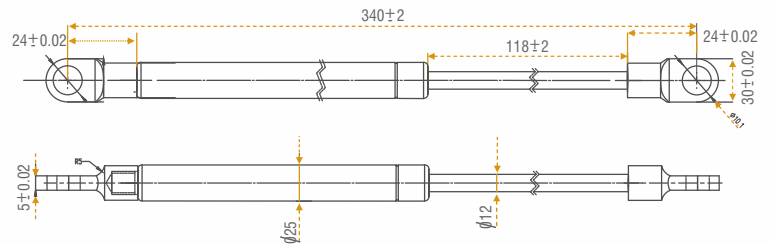
Model: BPLB-100

Weight capacity: 75 / 100 / 120 / 150 / 180 kgs



MRP* 2,365/-

Weight capacity: 200-220 kgs

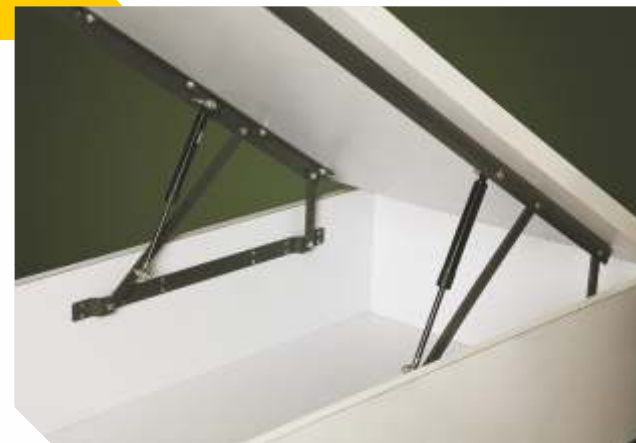


MRP* 2,785/-

* All prices are in INR, and for per pair

BOSE BED BRACKET

- Ideal for storage under the bed, 30degree opening allows easy access
- Premium heavy duty bed bracket
- Easy to fit
- Long brackets provide for better support to the bed platform
- Finish: Anthracite

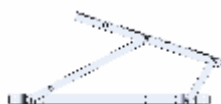


Model: BPL-BF-EF

BPL-BF-EF- 600mm

Size: 600mm

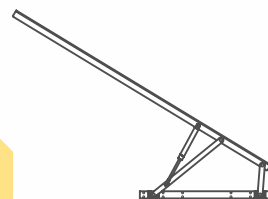
MRP* 2,975/-



BPL-BF-EF- 1200mm

Size: 1200mm

MRP* 4,375/-



BPL-BF-EF- 1500mm

Size: 1500mm

MRP* 4,550/-

* All prices are in INR, and for per piece



BOSE pro-lift

BOSE PRO-LIFT

BGL-005

Finish: Silver
 Weight Capacity: 5 kgs
 MRP: Rs. 525 per pair

BGL-010

Finish: Silver
 Weight Capacity: 10 kgs
 MRP: Rs. 525 per pair

BGL-015

Finish: Silver
 Weight Capacity: 15 kgs
 MRP: Rs. 525 per pair

BGL-020

Finish: Silver
 Weight Capacity: 20 kgs
 MRP: Rs. 525 per pair

BGL-025

Finish: Silver
 Weight Capacity: 25 kgs
 MRP: Rs. 525 per pair

BGL-030

Finish: Silver
 Weight Capacity: 30 kgs
 MRP: Rs. 525 per pair



BOSE PRO-LIFT

- Tube: Black colour
- 50,000 Cycle test
- 96 hours salt spray test
- Operating temperature of gas pro-lift is -20 + 75 degree

BGL-BK-9

Size: 9"

Weight Capacity: 5 / 10 / 15 / 20 / 25 / 30 / 35 kgs

MRP* 840/-

BGL-BK-12

Size: 12"

Weight Capacity: 5 / 10 / 15 / 20 / 25 / 30 / 35 kgs

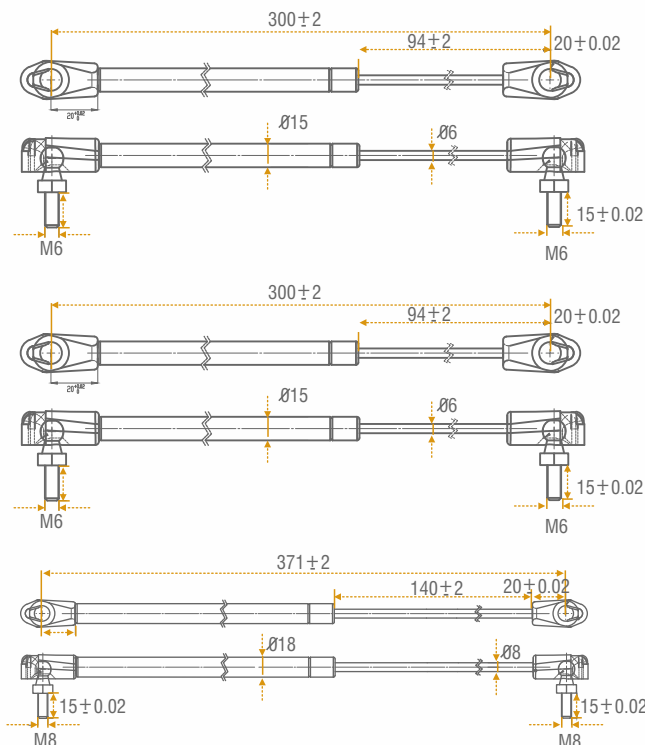
MRP* 840/-

BGL-BK-15

Size: 15"

Weight Capacity: 10 / 15 / 20 / 25 / 30 / 35 / 50 kgs

MRP* 1,050/-



* All prices are in INR, and for per pair

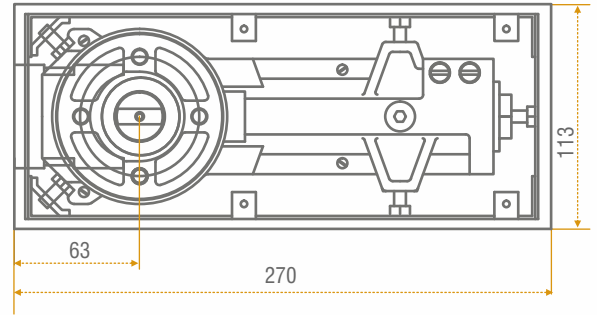
BOSE FLOOR SPRINGS



BFS-901

- Applicable standard EN 1154
- Maximum door weight: 90kgs
- Maximum door width: 900mm
- Material of cover plate: SS 304
- Cycle test: 5,00,000 times

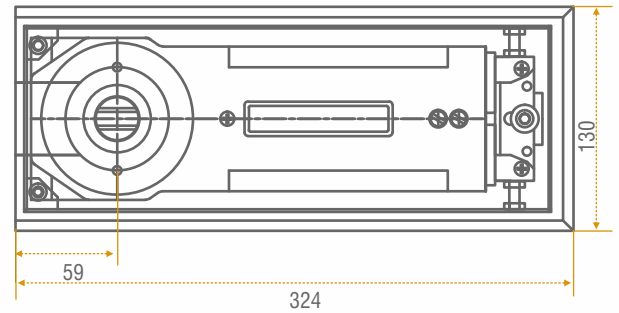
MRP* 5,500/-



BFS-902

- Applicable standard EN 1154
- Maximum door weight: 120kgs
- Maximum door width: 1000mm
- Material of cover plate: SS 304
- Cycle test: 5,00,000 times

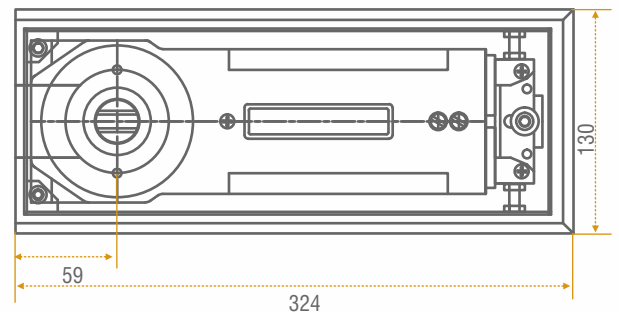
MRP* 6,750/-



BFS-903

- Applicable standard EN 1154
- Maximum door weight: 150kgs
- Maximum door width: 1200mm
- Material of cover plate: SS 304
- Cycle test: 5,00,000 times

MRP* 7,000/-



PATCH FITTINGS



Model: BPF-001
Item: Bottom Clamp
Finish: SN
MRP: Rs. 1,450 per pc



Model: BPF-004
Item: Big Clamp for Over Panel & Side Panel
Finish: SN
MRP: Rs. 3,650 per pc



Model: BPF-002
Item: Top Clamp
Finish: SN
MRP: Rs. 1,450 per pc



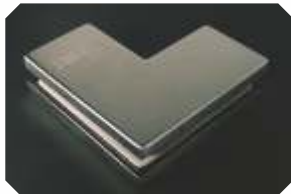
Model: BPF-005
Item: Bottom Patch Lock
Finish: SN
MRP: Rs. 2,850 per pc



Model: BPF-003
Item: Upper Clamp
Finish: SN
MRP: Rs. 1,450 per pc



Model: BPF-006
Item: Middle Patch Lock
Finish: SN
MRP: Rs. 2,850 per pc



Model: BPF-011
Item: Small Clamp for Over Panel & Side Panel
Finish: SN
MRP: Rs. 2,150 per pc



Model: BPF-091
Item: Plate with Pivot
Material: Stainless Steel
MRP: Rs. 520 per pc



Model: BPF-012
Finish: SN
MRP: Rs. 3,400 per pc



Model: BPF-092
Item: Floor Spring Accessories for Wooden Door
MRP: Rs. 875 per pc



Model: BPF-013
Item: Upper Clamp for Glass Next to Wall
Finish: SN
MRP: Rs. 2,150 per pc



Model: BPF-093
Item: Stainless Steel Plate with Iron Pivot
MRP: Rs. 350 per pc



Model: BPF-021
Finish: SN
MRP: Rs. 1,750 per pc

DOOR CLOSERS

BOSE DOOR CLOSER

- **Material:** High Grade Aluminium & Steel
- **Product Dimension:** 220mm (L) x 58mm (H) x 42mm (W)
- **Max Door Width:** 950mm
- Product as per EN Standard
- Made in Taiwan

3,00,000
CYCLE
TEST

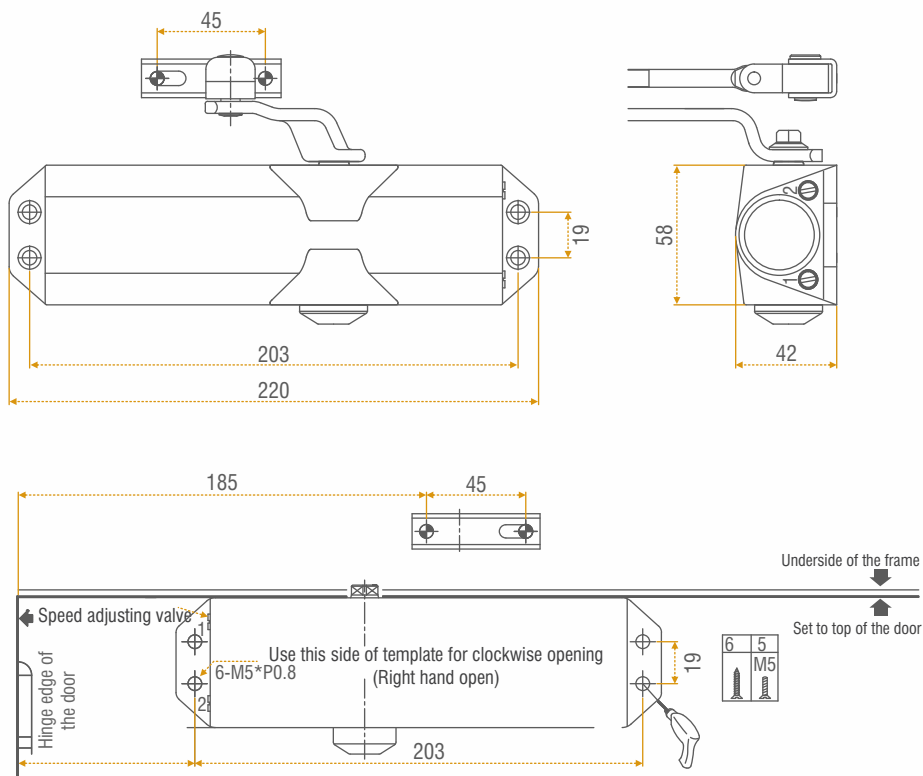
65kgs
WEIGHT
CAPACITY

MRP* **3,750/-**

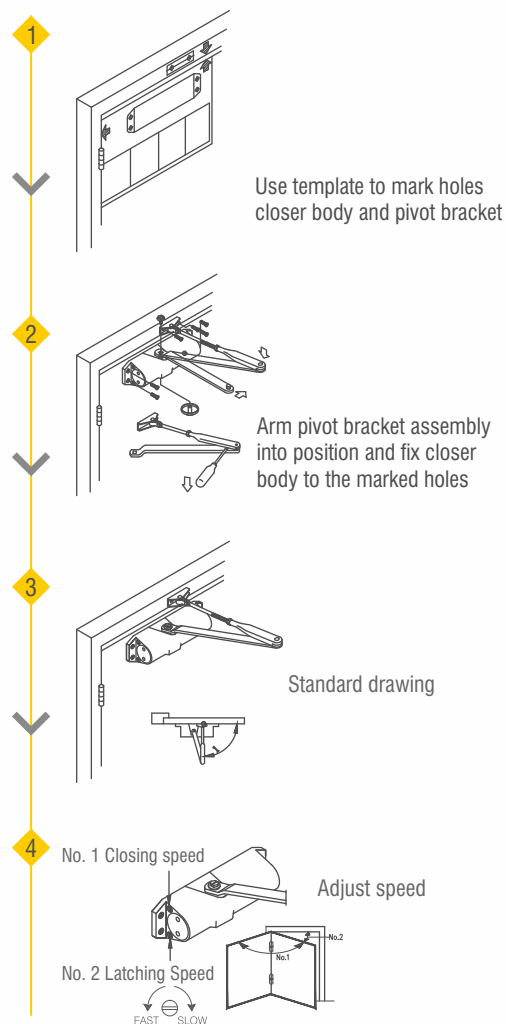


Model: BTW DC-001

INSTALLATION GUIDELINE



INSTALLATION INSTRUCTION



* All prices are in INR, and for per piece

BOSE DOOR CLOSER



Model: BTW DC-002

- Door Closer with Hold Open Arm
- **Material:** High Grade Aluminium & Steel
- **Product Dimension:** 220mm (L) x 58mm (H) x 42mm (W)
- **Max Door Width:** 950mm
- **Cycle Test:** 3,00,000 times
- Product as per EN Standard
- Made in Taiwan

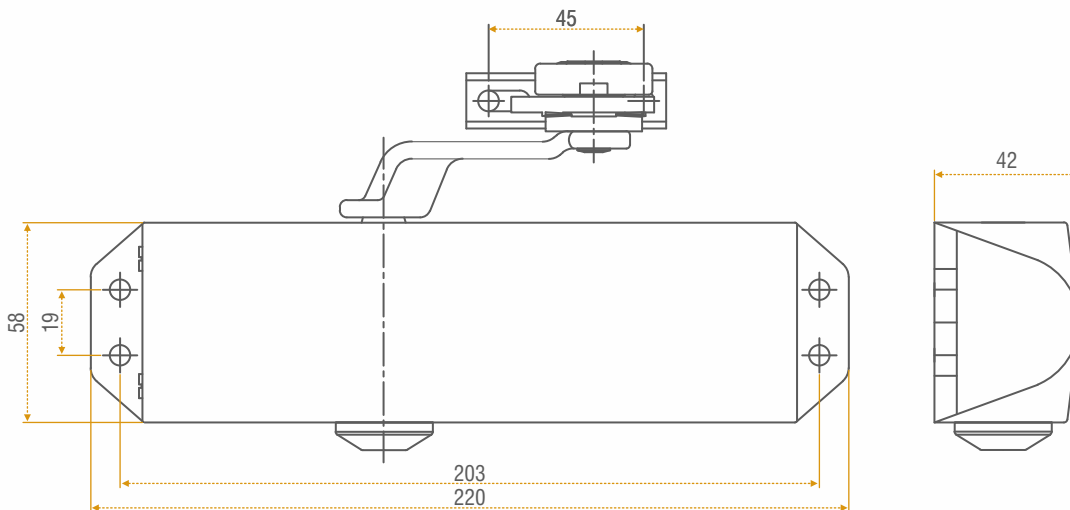
MRP*

4,250/-

50,000
CYCLE
TEST

65kgs
LOADING
CAPACITY

INSTALLATION GUIDELINE



BOSE DOOR CLOSER

- Hold Open Door Closer with Sliding Track & Arm
- **Material:** High Grade Aluminium & Steel
- **Product Dimension:** 220mm (L) x 58mm (H) x 42mm (W)
- **Max Door Width:** 950mm
- Product as per EN Standard
- Made in Taiwan



Model: BTW DC-003

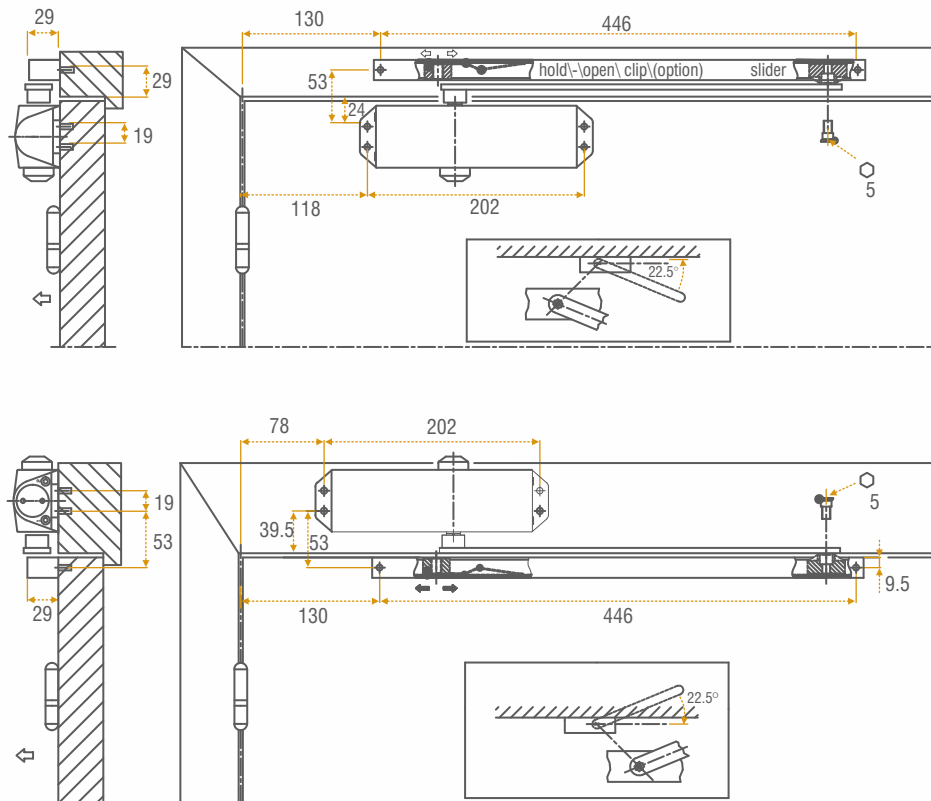
3,00,000
CYCLE
TEST

65kgs
WEIGHT
CAPACITY

MRP*

4,875/-

INSTALLATION GUIDELINE



BOSE DOOR CLOSER



Model: BTW DC-004

- Hold Open Door Closer with Sliding track & Arm
- **Material:** High Grade Aluminium & Steel
- **Product Dimension:** 207mm (L) x 55mm (H) x 40mm (W)
- **Max Door Width:** 950mm
- Product as per EN Standard
- Made in Taiwan
- Aluminum extrusion body with sleek design which make product look elegant & long lasting

MRP*

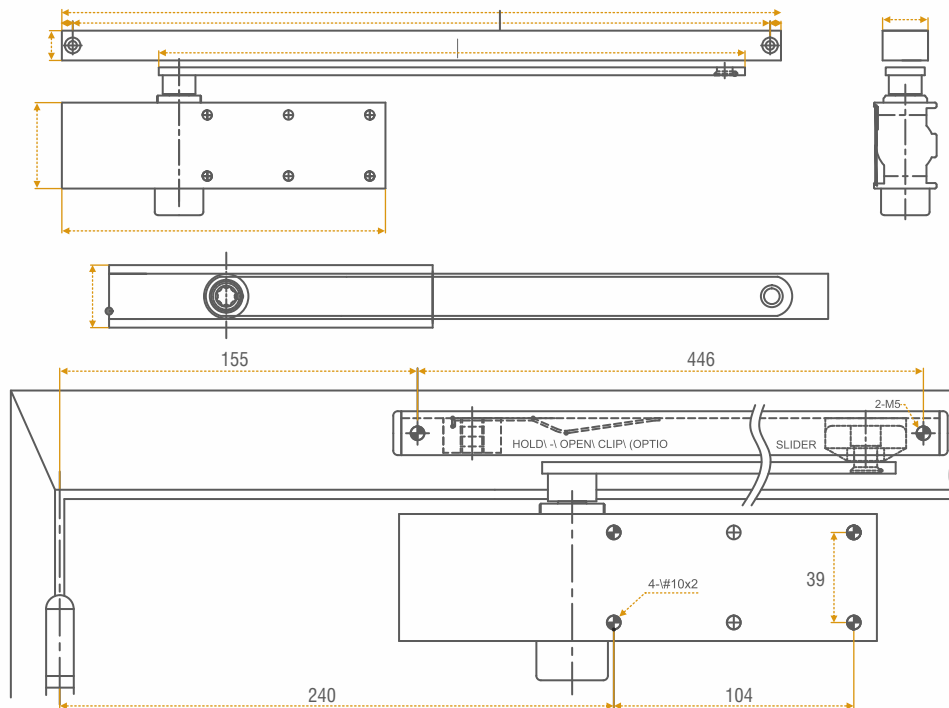
6,575/-

3,00,000
CYCLE
TEST

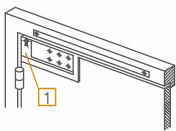
65kgs
WEIGHT
CAPACITY

* All prices are in INR, and for per piece

INSTALLATION GUIDELINE

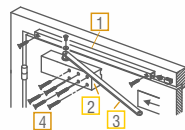


Instructions for Installation of the Door Closers (Standard Type)



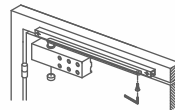
- Determine the installation position of the door closer place the templet on the closed door and the top jamb, and make holes in them with a punch or other proper tools

1 Template

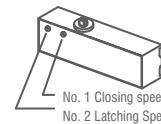


- Fix the track to the top jamb.
- Fix the lever to the pinion shaft and fix it firmly with the screw.
- Mount the closer on the door

1 Template 3 Main Arm
2 Body 4 Mounting Screw



- Adjust the link length so that the arm makes a right angle with the track, and fix with the lock nut.
- Fix pinion cap to closer body



- Adjust the closing speed. The door closer closes the door at two different speeds. The first speed can be controlled by the No.1 speed adjusting valve, and the second speed, by the No.2 speed adjusting valve.

BOSE DOOR CLOSER

- Concealed Door Closer with Sliding Track & Arm, hold open
- **Material:** High Grade Aluminium & Steel
- **Product Dimension:** 230mm (L) x 57mm (H) x 32mm (W)
- **Max Door Width:** 950mm
- Product as per EN Standard
- Made in Taiwan



50,000
CYCLE
TEST

65kgs
WEIGHT
CAPACITY

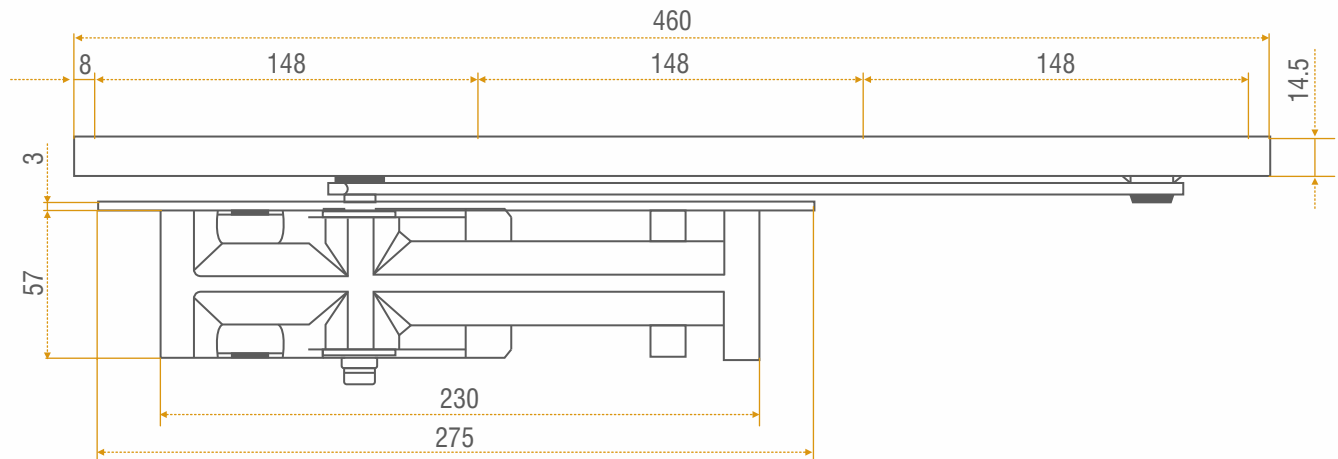
MRP*

9,500/-

Model: BTW DC-101

EN Size #3

INSTALLATION GUIDELINE



BOSE DOOR CLOSER

- Concealed Door Closer with Sliding Track & Arm, hold open
- **Material:** High Grade Aluminium & Steel
- **Product Dimension:** 230mm (L) x 61mm (H) x 37mm (W)
- **Max Door Width:** 1100mm
- Product as per EN Standard
- Made in Taiwan



Model: BTW DC-102

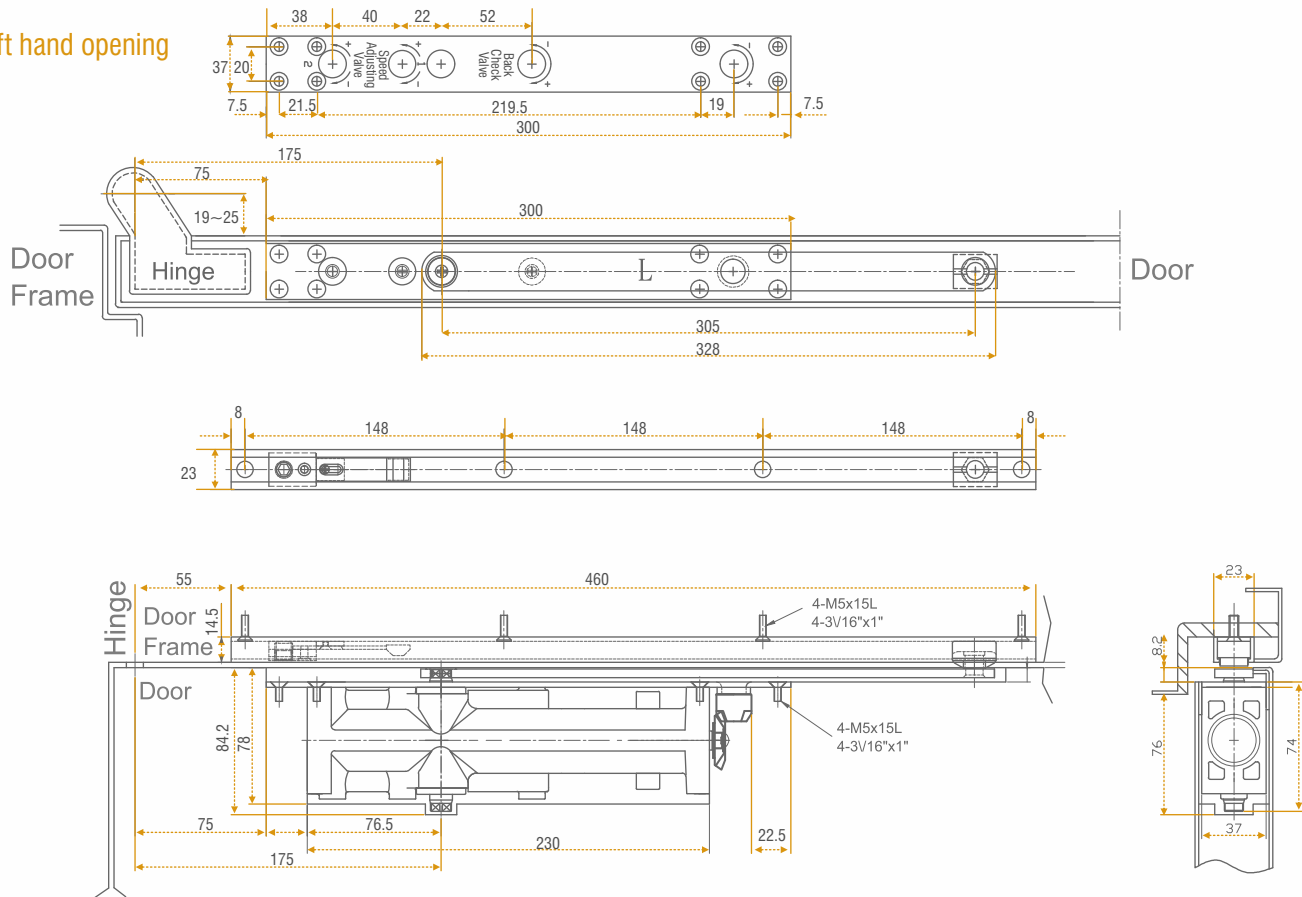
MRP* 12,500/-

3,00,000
CYCLE
TEST

45-85kgs
WEIGHT
CAPACITY

INSTALLATION GUIDELINE

Left hand opening



BOSE DOOR CLOSER

- CAM Action Door Closer
- Concealed type, with hold open device
- **Body Dimension:**
236mm (L) x 59mm (H) x 36mm (W)
- Power Size: #2-4 adjustable by spring
- **Max Door Width:** 850 to 1100mm
- Made in Taiwan



Model: BTW DC-103

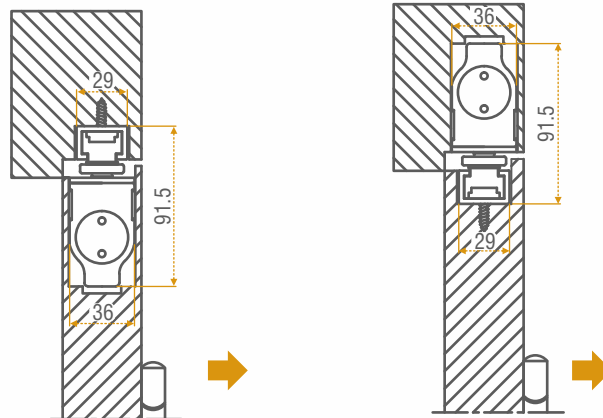
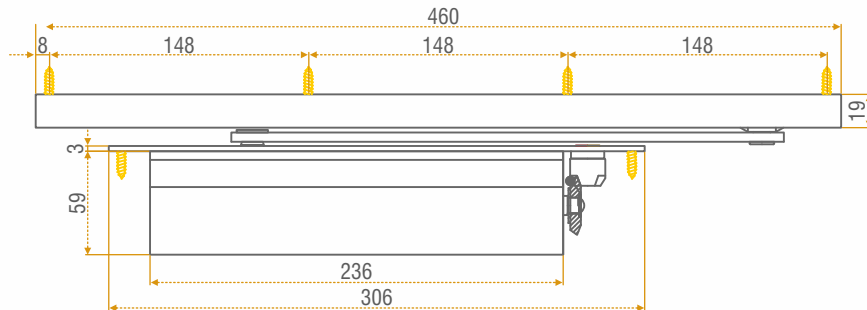
50,000
CYCLE
TEST

40-120kgs
WEIGHT
CAPACITY

MRP*

22,950/-

INSTALLATION GUIDELINE



TUBULAR LOCKS



BOSE TUBULAR LOCK WITH ULTRA KEY

- Model: BTL-001 SS
- Finish: Matte
- MRP: Rs. 1,475 per set
- Model: BTL-601 AB
- Finish: Antique
- MRP: Rs. 1,850 per set



BOSE BATHROOM TUBULAR WITHOUT KEY

- Model: BTL-002 SS
- Finish: Matte
- MRP: Rs. 1,350 per set
- Model: BTL-602 AB
- Finish: Antique
- MRP: Rs. 1,700 per set

HYDRAULIC PATCH



Model BTW HP 100

BOSE HYDRAULIC PATCH

- Made in Taiwan
- Maximum door width: 1000mm

MRP* 11,000/-

1,00,000
CYCLE
TEST

100kgs
WEIGHT
CAPACITY

* All prices are in INR, and for per piece

LOCK BODIES



BMB-145 SS

Item: 45mm x 85mm Lock Body

Finish: BSN

MRP: Rs. 1,475 per pc

BMB-845 CP

Item: 45mm x 85mm Lock Body

Finish: CP

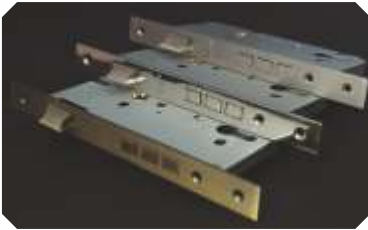
MRP: Rs. 1,800 per pc

BMB-645 AB

Item: 45mm x 85mm Lock Body

Finish: MAB

MRP: Rs. 1,800 per pc



BMB-160 SS

Item: 60mm x 85mm Lock Body

Finish: BSN

MRP: Rs. 1,700 per pc

BMB-860 CP

Item: 60mm x 85mm Lock Body

Finish: CP

MRP: Rs. 2,200 per pc

BMB-660 AB

Item: 60mm x 85mm Lock Body

Finish: MAB

MRP: Rs. 2,200 per pc



BOSE ROLLER BODY

BRB-160SS

Item: Roller Body

Finish: BSN

MRP: Rs. 1,750 per pc



BBL-001

Item: Baby Latch

Finish: BSN

MRP: Rs. 1,225 per pc



BMB-150 SS

Item: 50mm x 85mm Lock Body

Finish: BSN

MRP: Rs. 2,800 per pc



BSKL-001

Item: Star Key Sliding Lock

Finish: BSN

MRP: Rs. 1,225 per pc



BSKL-002

Item: Star Key Dead Lock

Finish: BSN

MRP: Rs. 1,400 per pc

BOSE LOCK CYLINDERS WITH 5 ULTRA KEYS



Finish: BSN

Model	Item	MRP*
BCY 3060	60mm Brass cylinder (key x key)	1,400/-
BCY 3070	70mm Brass cylinder (key x key)	1,500/-
BCY 3080	80mm Brass cylinder (key x key)	1,590/-
BCY 1060	60mm Brass cylinder (knob x key)	1,500/-
BCY 1070	70mm Brass cylinder (knob x key)	1,590/-
BCY 1080	80mm Brass cylinder (knob x key)	1,675/-
BCY 1090	90mm Brass cylinder (knob x key)	1,900/-
BCY 1100	100mm Brass cylinder (knob x key)	2,075/-
BCY 1110	110mm Brass cylinder (knob x key)	2,275/-

Finish: CP

Model	Item	MRP*
BCY 8060	60mm Brass cylinder (knob x key)	1,600/-
BCY 8070	70mm Brass cylinder (knob x key)	1,700/-
BCY 8080	80mm Brass cylinder (knob x key)	1,795/-
BCY 18060	60mm Brass cylinder (key x key)	1,500/-
BCY 18070	70mm Brass cylinder (key x key)	1,600/-
BCY 18080	80mm Brass cylinder (key x key)	1,700/-

Finish: MAB

Model	Item	MRP*
BCY 6060	60mm Brass cylinder (knob x key)	1,600/-
BCY 6070	70mm Brass cylinder (knob x key)	1,700/-
BCY 6080	80mm Brass cylinder (knob x key)	1,795/-
BCY 16060	60mm Brass cylinder (key x key)	1,500/-
BCY 16070	70mm Brass cylinder (key x key)	1,600/-
BCY 16080	80mm Brass cylinder (key x key)	1,700/-

BOSE LOCK CYLINDERS WITHOUT KEYS

Finish: BSN

Model	Item	MRP*
BCY 4060	60mm Brass cylinder	1,330/-
BCY 4070	70mm Brass cylinder	1,400/-
BCY 4080	80mm Brass cylinder	1,500/-
BCY 5040	40mm half cylinder	1,090/-
BCY 5045	45mm half cylinder	1,150/-



Finish: CP

Model	Item	MRP*
BCY 9060	60mm Brass cylinder	1,420/-
BCY 9070	70mm Brass cylinder	1,500/-
BCY 9080	80mm Brass cylinder	1,600/-
BCY 18040	40mm half cylinder	1,150/-
BCY 18045	45mm half cylinder	1,220/-

Finish: MAB

Model	Item	MRP*
BCY 7060	60mm Brass cylinder	1,420/-
BCY 7070	70mm Brass cylinder	1,500/-
BCY 7080	80mm brass cylinder	1,600/-
BCY 16040	40mm half cylinder	1,150/-
BCY 16045	45mm half cylinder	1,220/-

BOSE CREATIONS

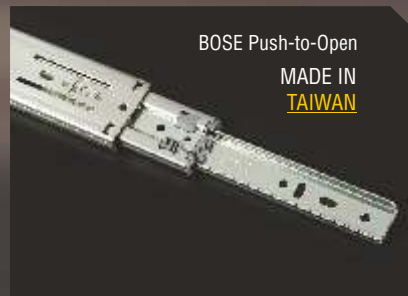
We assure nothing
but **the very best**

We don't just fulfill needs

WE HELP YOU MAXIMIZE VALUE

We don't just deliver quality

WE HARNESS WORLD-CLASS
TECHNOLOGY



BOSE[®]

BOSE EXPERIENCE CENTRE

Mumbai

Head Office

Brothers Creation Hardware Pvt. Ltd.
Raja Industrial Estate,
Gala No. 59, Sarvodaya Nagar,
P. K. Road, Mulund (West),
Mumbai - 400 080.

+91 022-25918780 / 82 / 83

+91 9892930906 | +91 9892130030

Brothers Creation Hardware Pvt. Ltd.
Shree Laxmi Krupa Industrial
Premises Co-op Soc. Ltd.,
Laxmi Industrial Estate,
Gala No. 2-h, New Link Road,
Andheri (West), Mumbai - 400 053.

+91 8779114700

BOSE EXPERIENCE CENTRE & AUTHORISED DISTRIBUTOR

Pune

Shree Ashapuri Hardware
Plot No. 259, Alka Bliss,
Shop No.1, New Timber Market
Pune - 411 042.

+91-9890676862 | +91-9096083655

Indore

Aadesh Marketing
Basement Plot No-78
Sheme No-91, Anaj Mandi,
Malwa Mill, Indore - 452 001.

+91-9669533109 | +91-7879548657

AUTHORISED DISTRIBUTOR

South Mumbai

Noble Hardware
53/57 Esaji Street, United Building,
Maznin Floor, Masjid Bunder,
Mumbai - 400003.

+91 9892023171

Hyderabad

Rajdhani Marketing
#11-1-296/1, Aghapura,
Charkhandeel Road, Near Jubilee
School, Hyderabad, T. S. - 500001.

+91 9160423285 | +91 9030330635

BRANCH OFFICE

Bengaluru

Brothers Creation Hardware Pvt. Ltd.
No. 20/1, Ground Floor, 1st A Main,
Sudhama Nagar, Bengaluru - 560027.

+91-080-41100244 | +91-9730441084

BOSE[®]

Brothers Creation Hardware Pvt. Ltd.

www.bosehardware.co.in

Download **BOSE** E-VIEW
our price list app from



or

